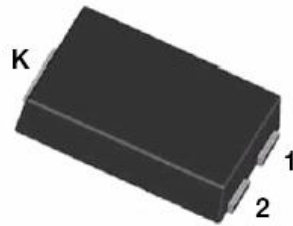


B013, Rev. -

1. Finish Goods PKG photo



2. Packing method

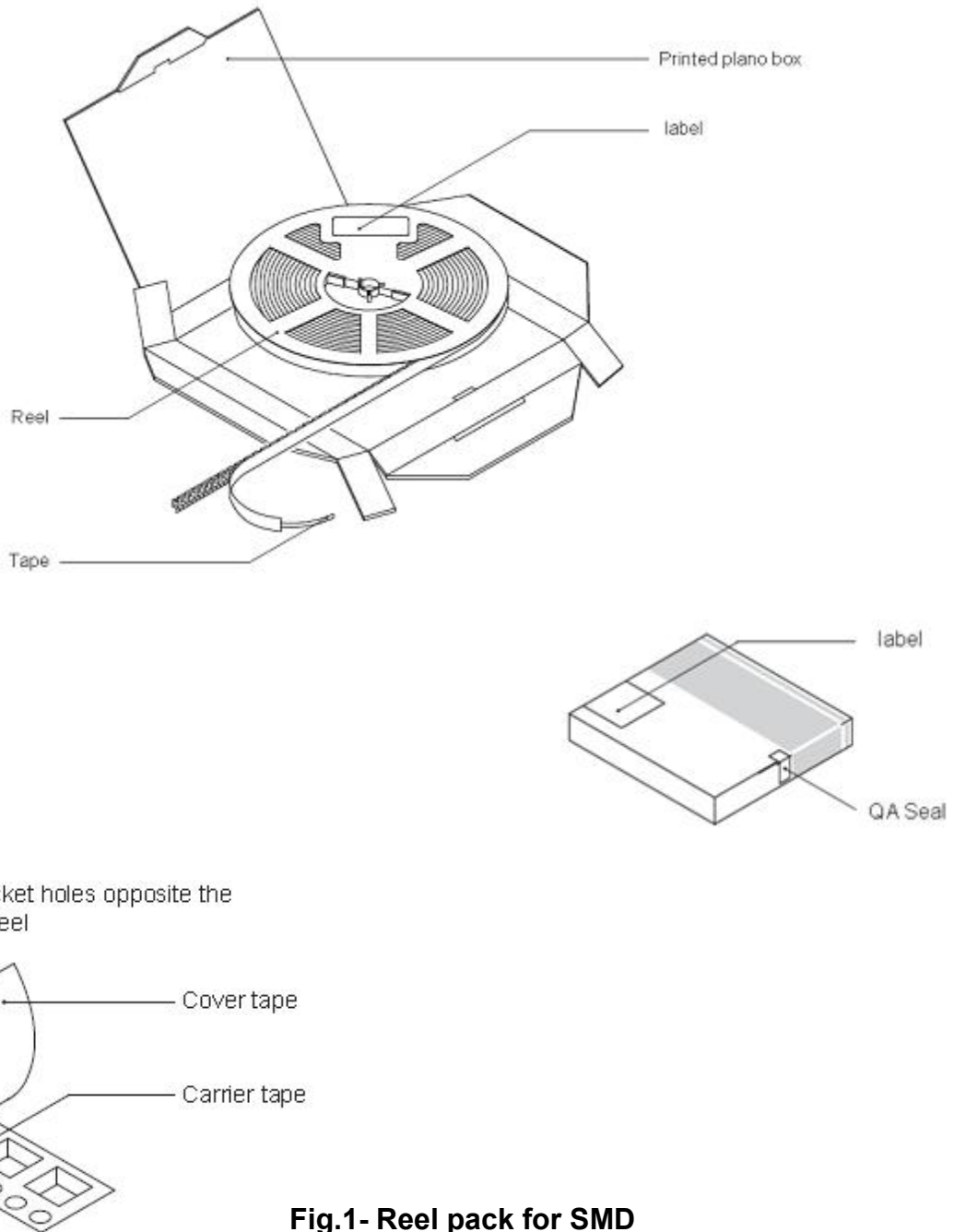


Fig.1- Reel pack for SMD

Table 1. Packing information

Type	Reel dimensions $\phi \times H$ (mm)	Per reel (pcs)	Reel Weight (Kg)	Reels per box	Pcs/ Box	Inner box size (mm)	Inner box weight (Kg)	Outer box size (mm)	Pcs/ Outer box	Outer box weight (Kg)
TO-277B	$\phi 330 \times 22$	5000	0.79	2	10000	337*337*40	1.73	345*357*365	80000	14.5

3. Product orientation

Standard product orientation TO-277B

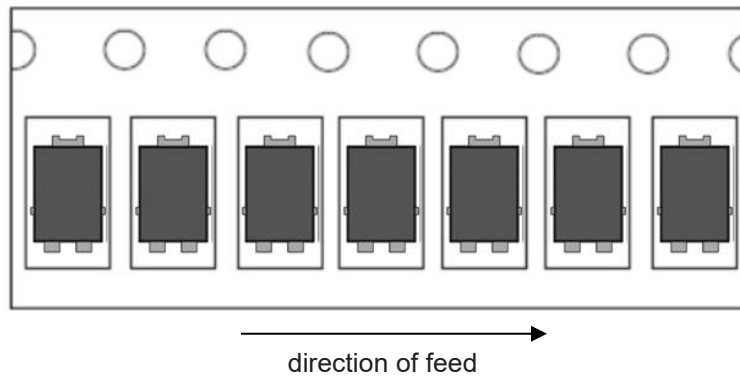


Fig 2. Product orientation in carrier tape

4. Carrier tape dimensions

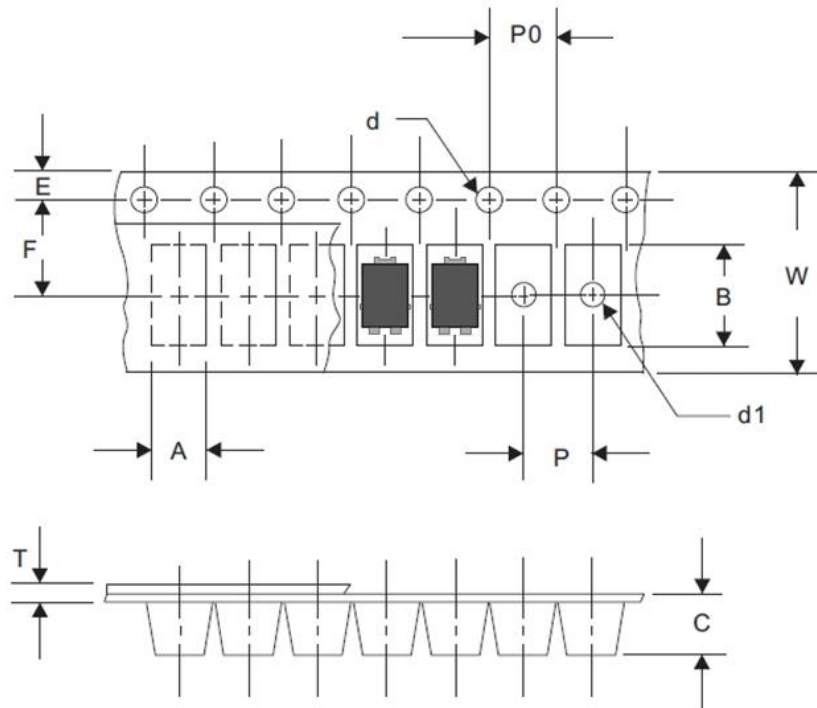


Fig 3. Carrier tape dimensions

5. Reel dimensions

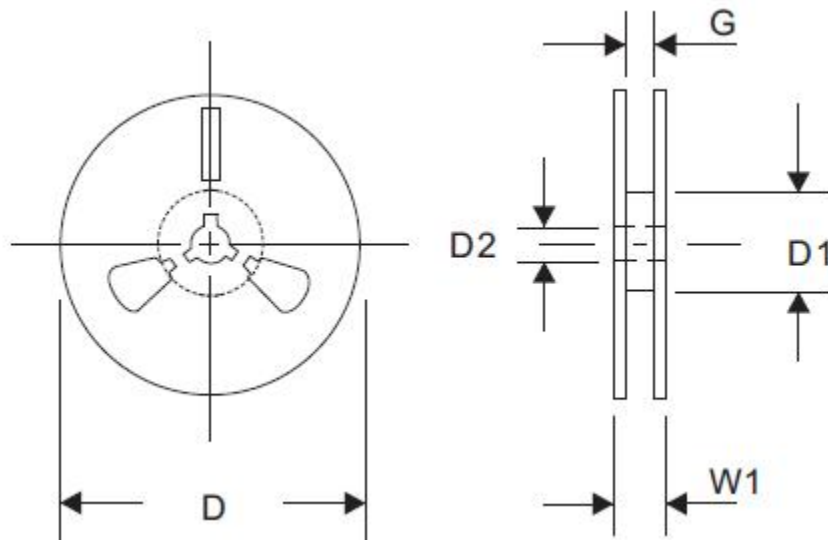


Fig 4. Reel dimensions

Table 2. Carrier tape dimensions (In mm)

W	A	C	T	B	d1	d	E	F	P	P0	D	D1	D2	G	W1
±0.3	±0.1	±0.1	±0.1	±0.1	max	±0.1	±0.1	±0.1	±0.1	±0.1	±0.3	min	±0.2	min	min
12.00	4.38	1.40	0.34	6.90	1.50	1.50	1.75	5.50	8.00	4.00	330.0	100	13.00	16.00	20.00