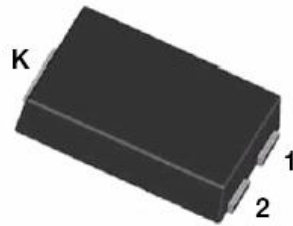


B013, Rev. -

1. Finish Goods PKG photo



2. Packing method

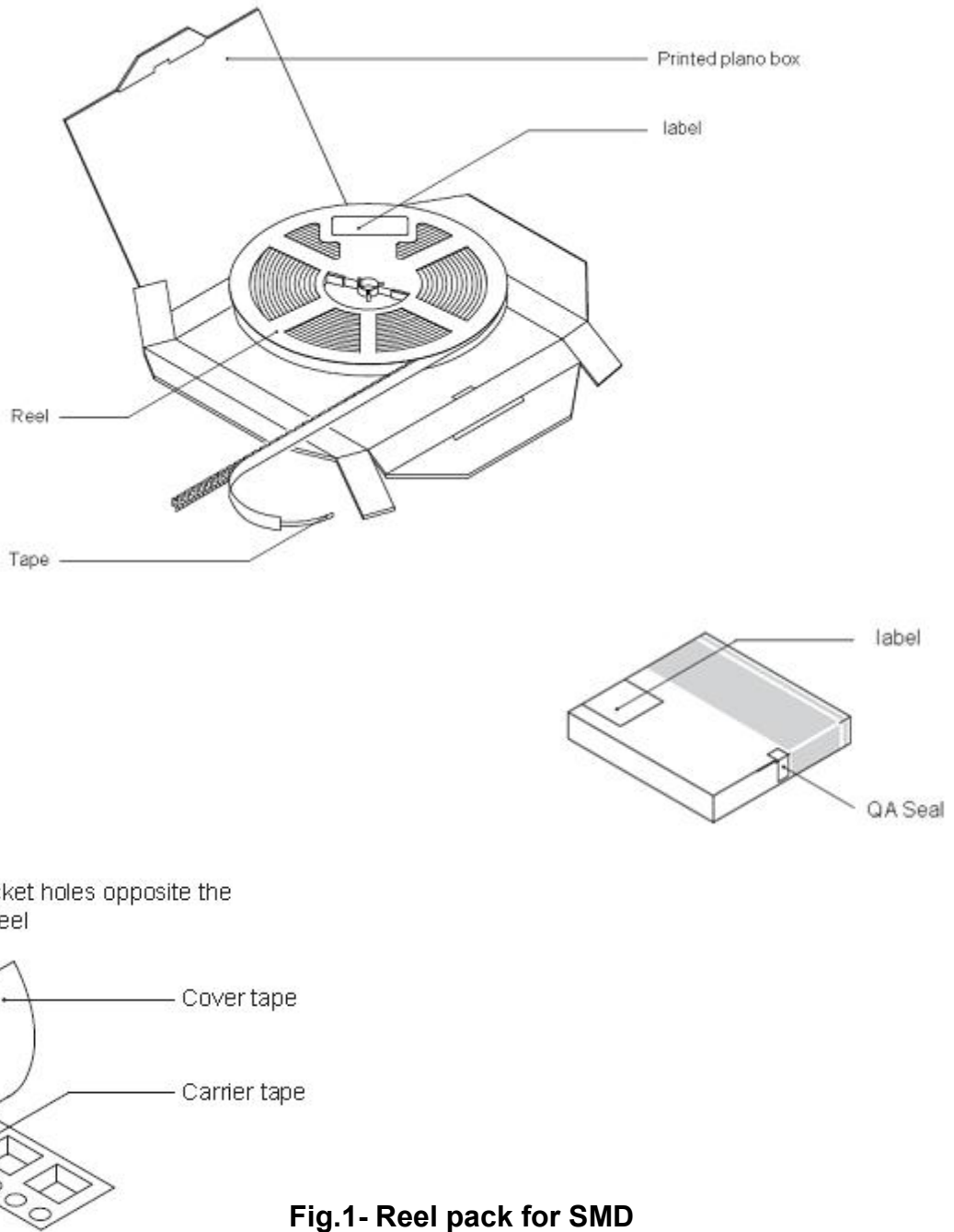


Fig.1- Reel pack for SMD

Table 1. Packing information

Type	Reel dimensions $\phi \times H$ (mm)	Per reel (pcs)	Reel Weight (Kg)	Reels per box	Pcs/ Inner Box	Inner box size (mm)	Inner box weight (Kg)	Outer box weight (Kg)	Outer box size (mm)	Pcs/ Outer box
TO-277B	$\Phi 330 \times 22$	5000	0.79	2	10K	337*337*40	1.73	15	345*345*365	70K

3. Product orientation

Standard product orientation TO-277B

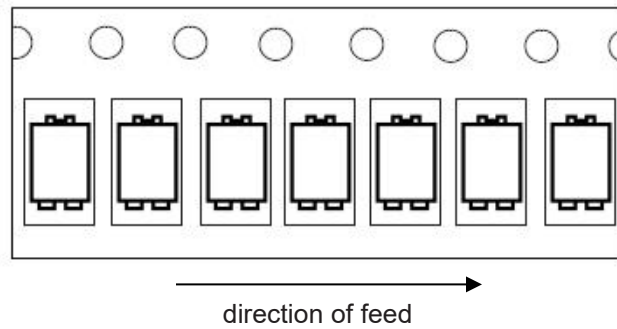
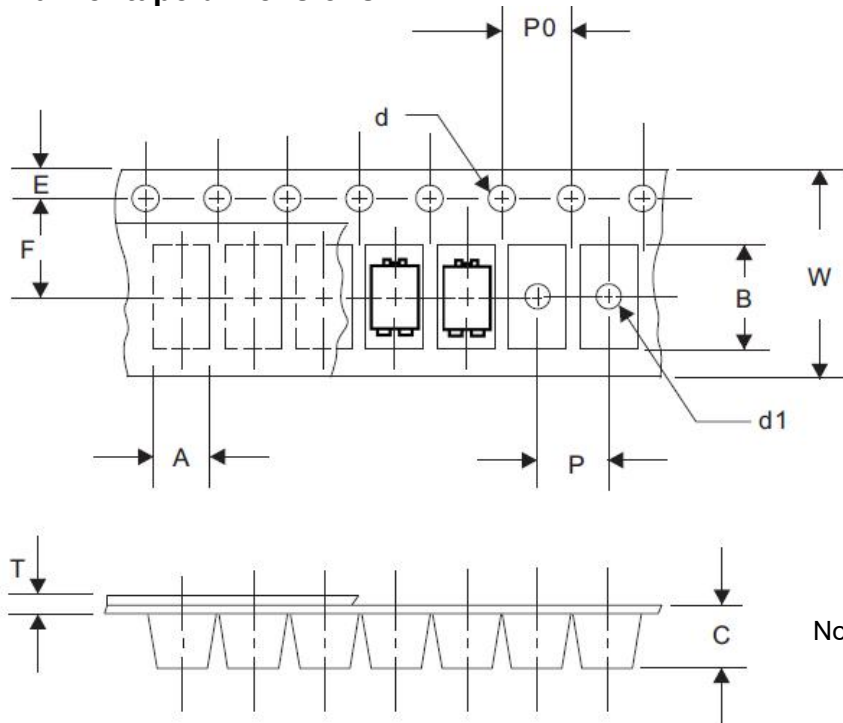


Fig 2. Product orientation in carrier tape

4. Carrier tape dimensions



Notes: 1. Tape material use anti static PC.
2. Packing internal ESD spec is under 100V.

Fig 3. Carrier tape dimensions

5. Reel dimensions

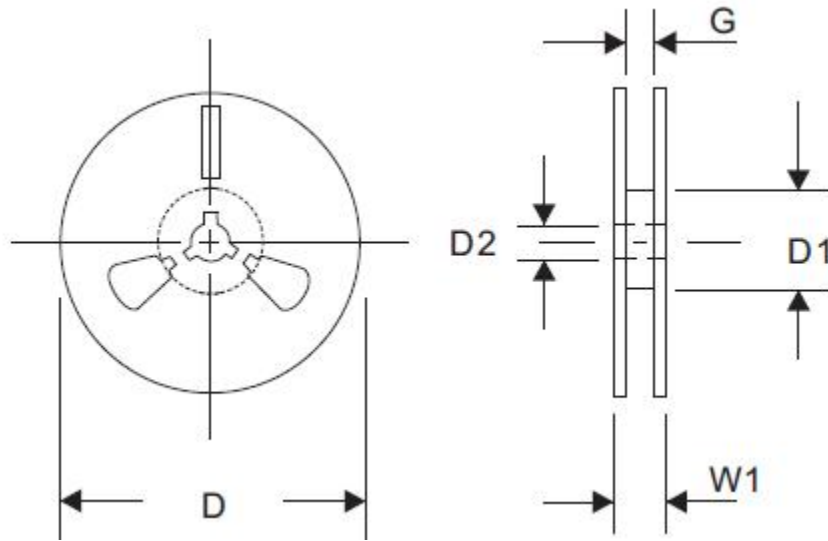


Fig 4. Reel dimensions

Notes: Reel material use paper characteristics.

Table 2. Carrier tape dimensions (In mm)

W	A	C	T	B	d1	d	E	F	P	P0	D	D1	D2	G	W1
±0.3	±0.1	±0.1	±0.1	±0.1	max	±0.1	±0.1	±0.1	±0.1	±0.1	±0.3	min	±0.2	min	min
12.00	4.38	1.40	0.34	6.90	1.50	1.50	1.75	5.50	8.00	4.00	330.0	100	13.00	16.00	20.00