

B049, Rev. -

1. Finish Goods PKG photo



2. Packing method

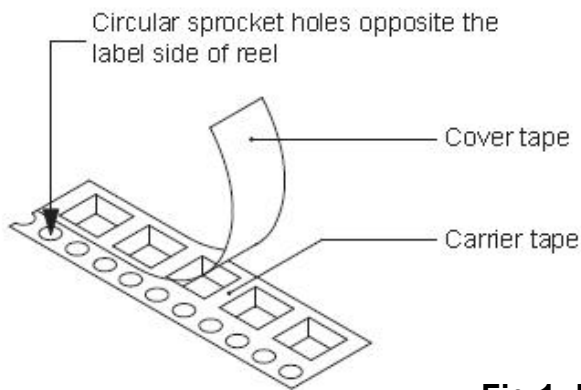
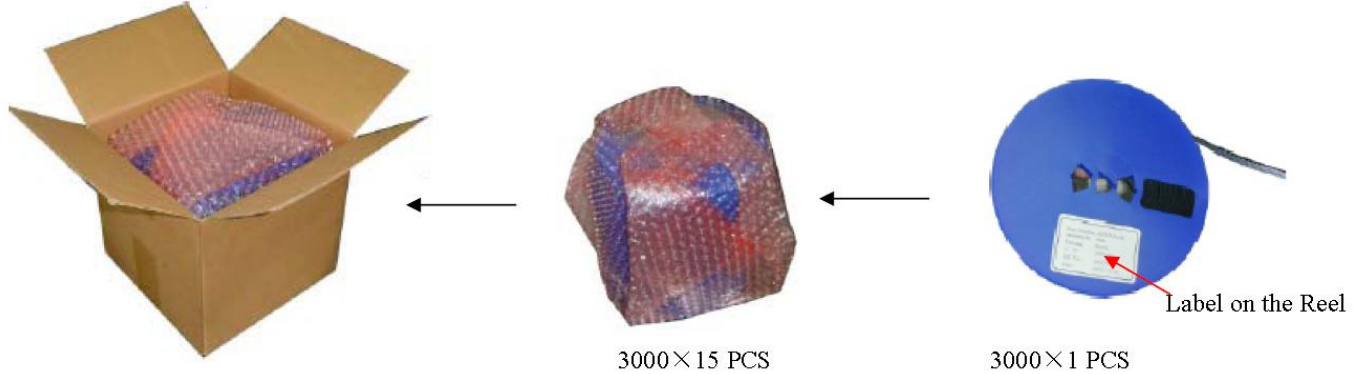


Fig.1- Reel pack for SMD

Table 1. Packing information

Package version	Reel dimensions $\phi \times H$ (mm)	Per reel (pcs)	Reel Weight (Kg)	Reels per box	Inner box dimensions L×W×H (mm)	Inner box weight (Kg)	Outer box weight (Kg)
SOT-143	$\Phi 178 \times 12.3$	3000	0.099	15	203*203*195	1.24	2.43

3. Product orientation

Standard product orientation SOT-143

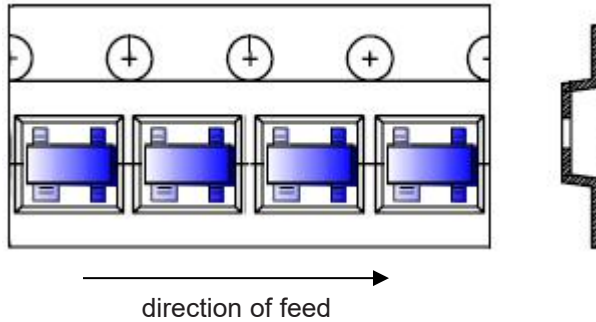


Fig 2. Product orientation in carrier tape

4. Carrier tape dimensions

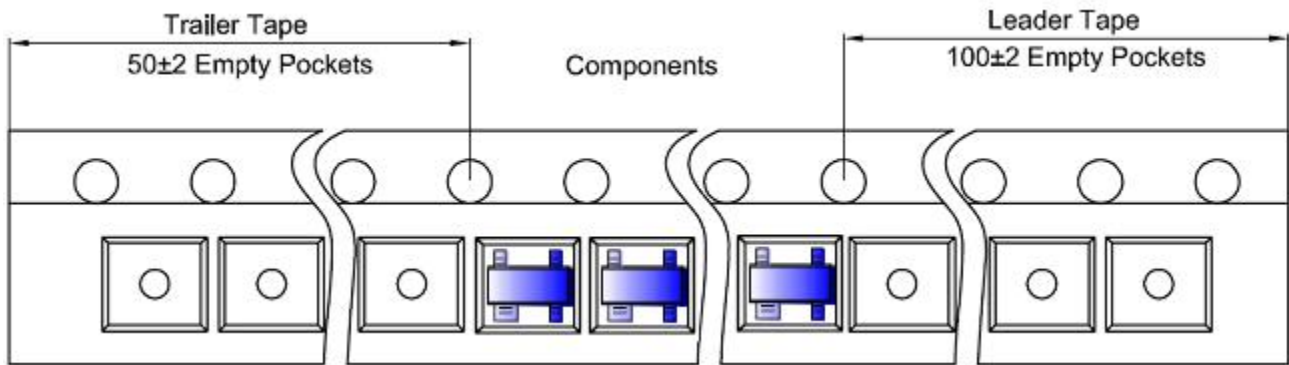
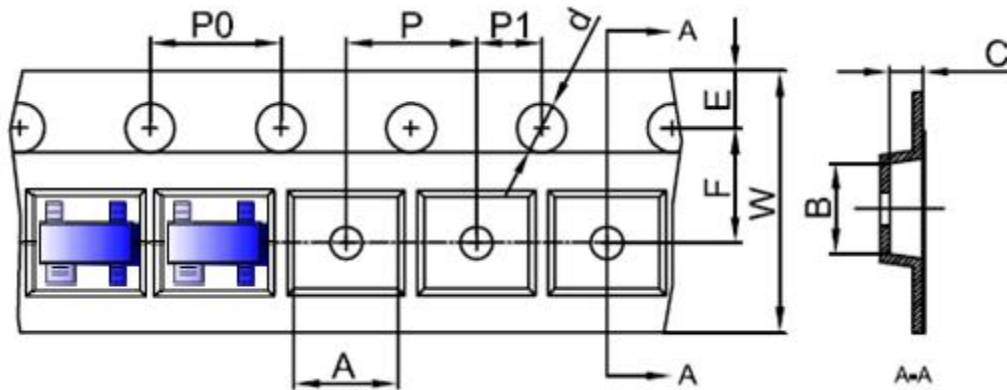


Fig 3. Carrier tape dimensions

5. Reel dimensions

SOT-143 Reel

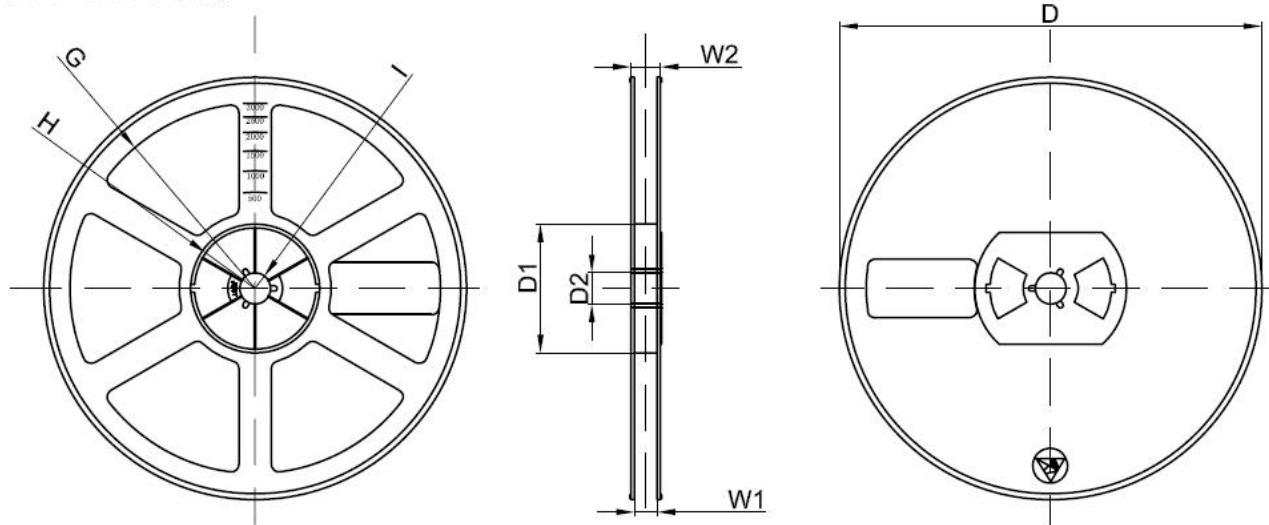


Fig 4. Reel dimensions

Table 2. Carrier tape dimensions

Dimensions are in millimeter										
Pkg type	A	B	C	d	E	F	P0	P	P1	W
SOT-143	3.19	2.80	1.31	Ø1.50	1.75	3.50	4.00	4.00	2.00	8.00
(Tolerance)	+/-0,1	+/-0,1	+/-0,1	+/-0,1	+/-0,1	+/-0,1	+/-0,1	+/-0,1	+/-0,1	+/-0,1

Dimensions are in millimeter								
Reel Option	D	D1	D2	G	H	I	W1	W2
7" Dia	Ø178.00	54.40	13.00	R78.00	R25.60	R6.50	9.50	12.30
Tolerance	+/-2	+/-1	+/-1	+/-1	+/-1	+/-1	+/-1	+/-1

REEL	Reel Size	Box	Box Size(mm)	Carton	Carton Size(mm)	G.W.(kg)
3000 pcs	7 inch	45,000 pcs	203×203×195	180,000 pcs	438×438×220	