

B044, Rev. -

1. Finish Goods PKG photo



2. Packing method

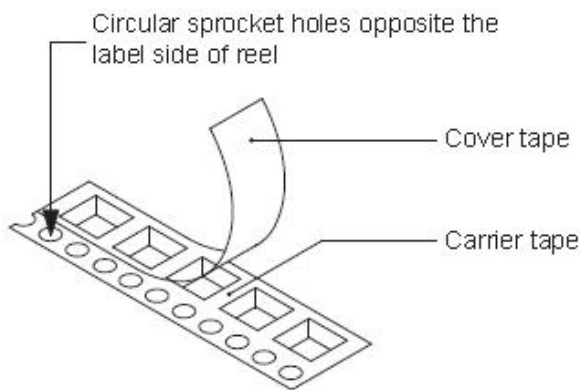
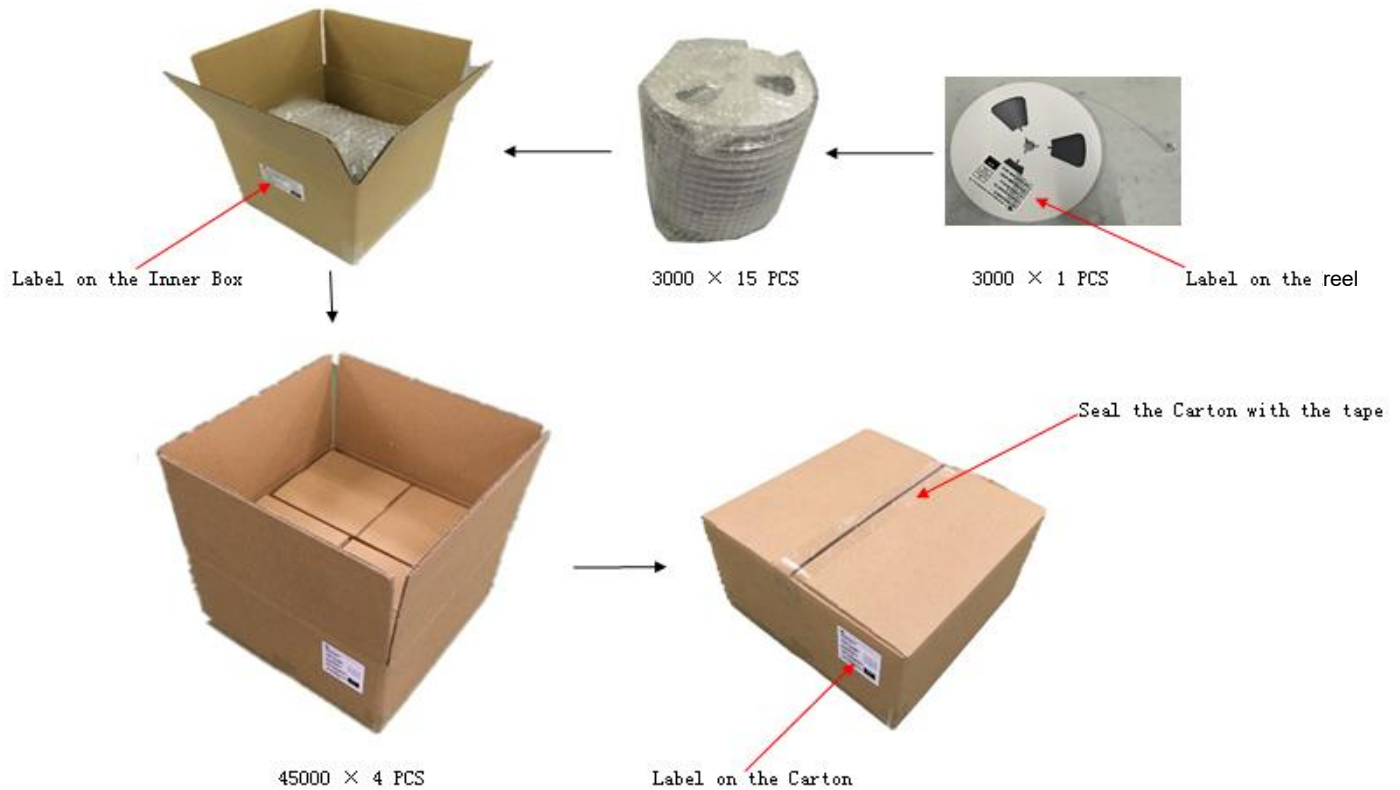


Fig.1- Reel pack for SMD

Table 1. Packing information

Package version	Reel dimensions ϕ (mm)	Pcs/reel (pcs)	Per reel weight (Kg)	Reels Inner box	Inner box weight (Kg)	Inner box dimensions L×W×H (mm)	Outer box dimensions L×W×H (mm)	Outer box (pcs)	Outer box weight (Kg)
SOD-123FL	$\phi 178 \times 12.3$	3000	0.12	15	0.68	180*67*180	450*450*230	180K	8.5

Package version	Inner box (pcs)	Boxs per Carton	Outer box (pcs)	Carton dimensions L×W×H (mm)
SOD-123FL	45000	4	180K	433*428*213

3. Product orientation

Standard product orientation SOD-123FL

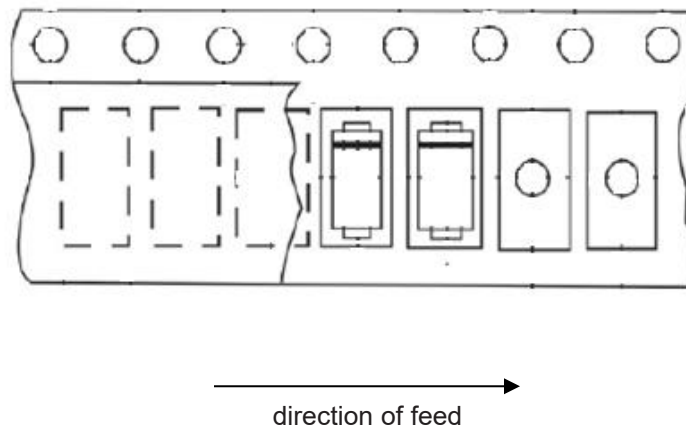


Fig 2. Product orientation in carrier tape

4. Carrier tape dimensions

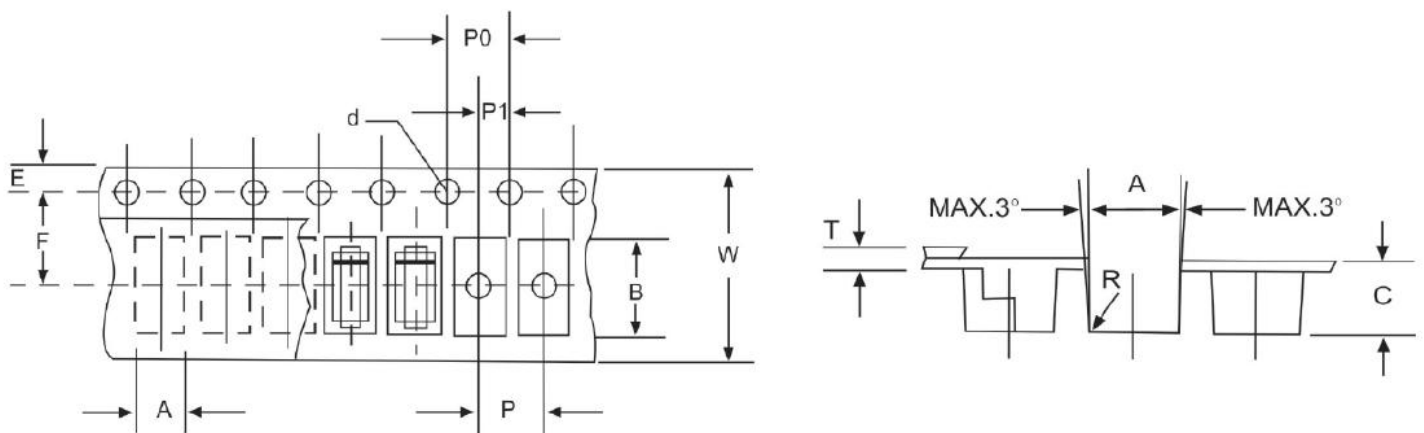


Fig 3. Carrier tape dimensions

5. Reel dimensions

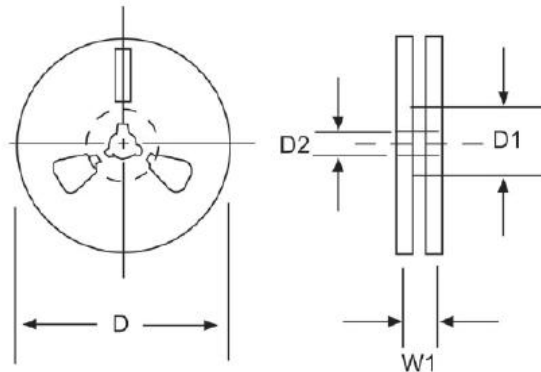


Fig 4. Reel dimensions

Table 2. Carrier tape dimensions

ITEM	SYMBOL	SOD-123FL mm(inch)
Carrier width	A	2.05+0.1(0.081+0.004)
Carrier length	B	3.95+0.1(0.156+0.004)
Carrier depth	C	1.45+0.1(0.057+0.004)
Sprocket hole	d	1.55+0.05(0.061+0.002)
Reel outside diameter	D	178+2.0(7.0+0.079)
Reel inner diameter	D1	8.0+0.2(0.315+0.008)
Feed hole diameter	D2	13+0.5(0.512+0.020)
Sprocket hole position	E	1.75+0.1(0.069+0.004)
Punch hole position	F	3.50+0.1(0.138+0.002)
Punch hole pitch	P	4.0+0.1(0.157+0.004)
Sprocket hole pitch	P0	4.0+0.1(0.157+0.004)
Embossment center	P1	2.0+0.1(0.079+0.004)
Total tape thickness	T	0.21-0.25(0.008-0.010)
Tape width	W	8.0+0.3/-0.1(0.315+0.012/-0.004)
Reel width	W1	10.0+2.0(0.394+0.079)