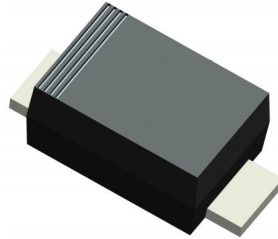


1. Finish Goods PKG photo



2. Packing method

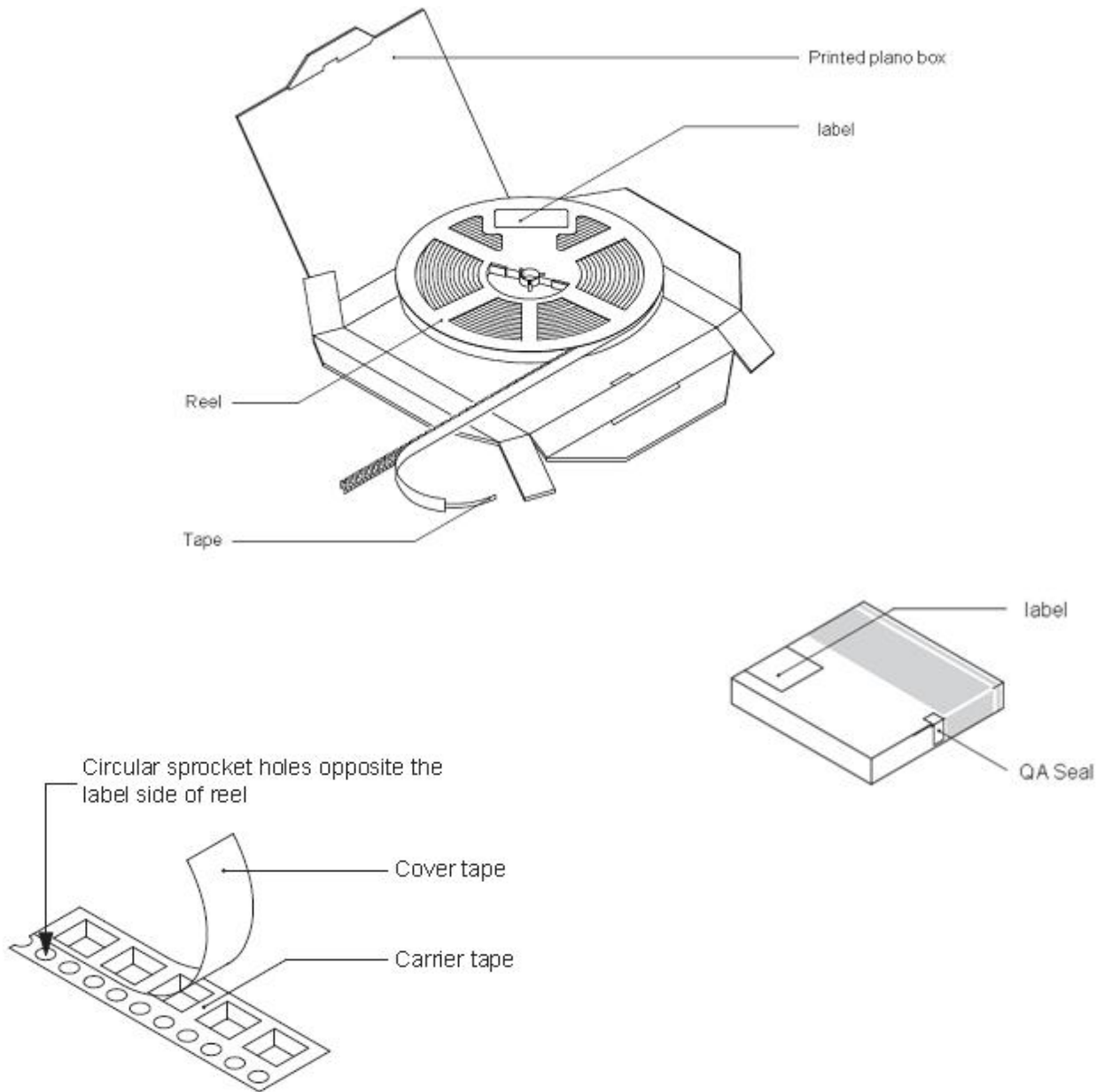


Fig.1- Reel pack for SMD

# SMAF Packing information

B045, Rev. -

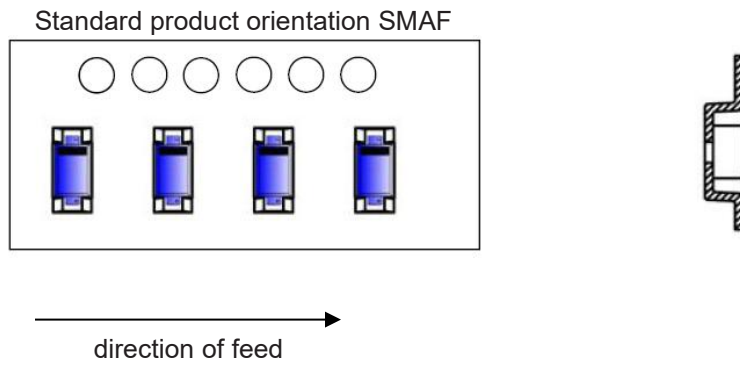
**Table 1. Packing information**

Package version	Reel dimensions $\phi \times H$ (mm)	SPQ/PQ (pcs)	Reels/ per box	Outer box dimensions L×W×H (mm)	Inner box/Outer box	Pcs/Outer box	Outer box weight (Kg)
SMAF	$\Phi 180 \times 8.04$	3000	4	380*370*200	10	120K	7.5

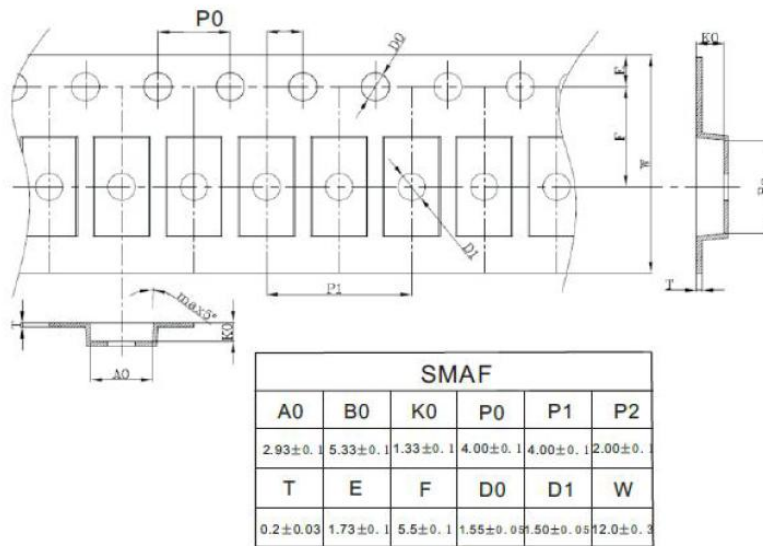
Package version	Reel dimensions $\phi$ (mm)	Pcs/reel (pcs)	Per reel weight (Kg)	Reels/ Inner box	Inner box weight (Kg)	Inner box dimensions L×W×H (mm)	Pcs/Outer box (pcs)	Outer box weight (Kg)	Outer box dimensions L×W×H (mm)
SMAF	$\Phi 330 \times 18.4$	10000	N/A	8	N/A	355*338*47	160K	12	410*370*360

### 3. Product orientation



**Fig 2. Product orientation in carrier tape**

### 4. Carrier tape dimensions



**Fig 3. Carrier tape dimensions**

5. Reel dimensions

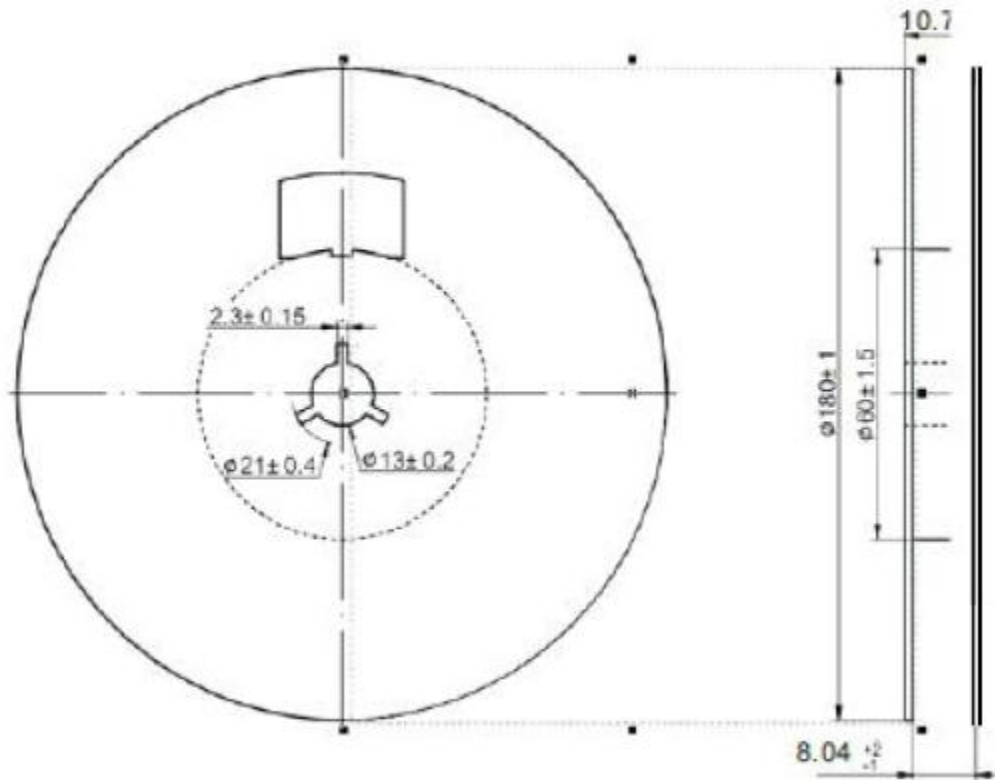


Fig 4. Reel dimensions