

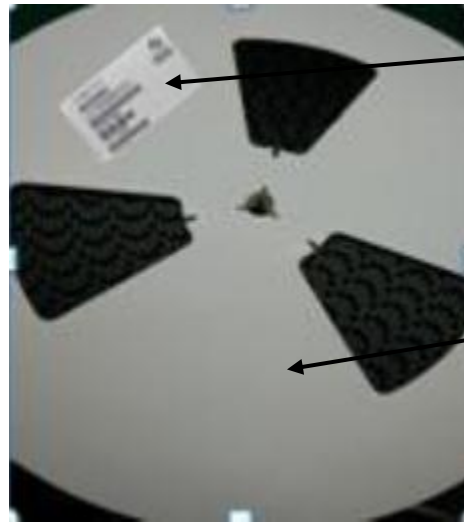
# ABS Packing information

B077, Rev. -

## 1. Finish Goods PKG photo



## 2. Packing method



Label

Reel



Label



Outer box

Fig.1- Reel pack for ABS

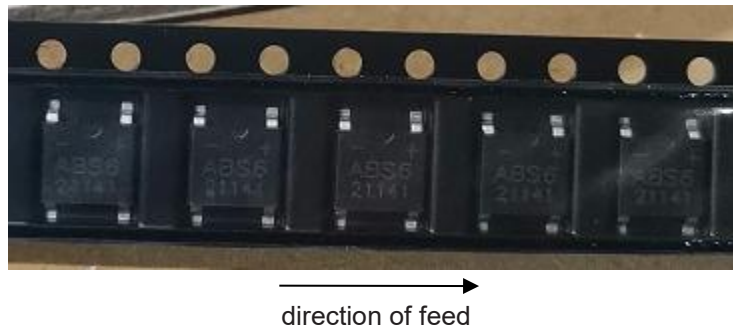
Table 1. Packing information

Package version	Reel dimensions $\phi$ (mm)	Pcs/reel (pcs)	Per reel weight (Kg)	Reels Inner box	Inner box weight (Kg)	Inner box per outer box	Outer box weight (Kg)
ABS	$\Phi 330 \times 18.4$	5000	0.8511	2	1.88	8	17

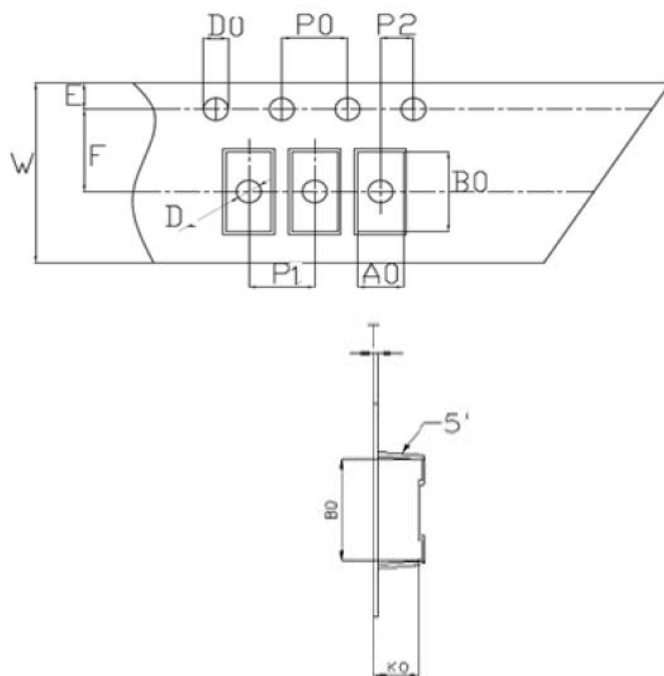
- China - Germany - Korea - Singapore - United States •
- <http://www.smc-diodes.com> - [sales@smc-diodes.com](mailto:sales@smc-diodes.com) •

### 3. Product orientation

Standard product orientation ABS



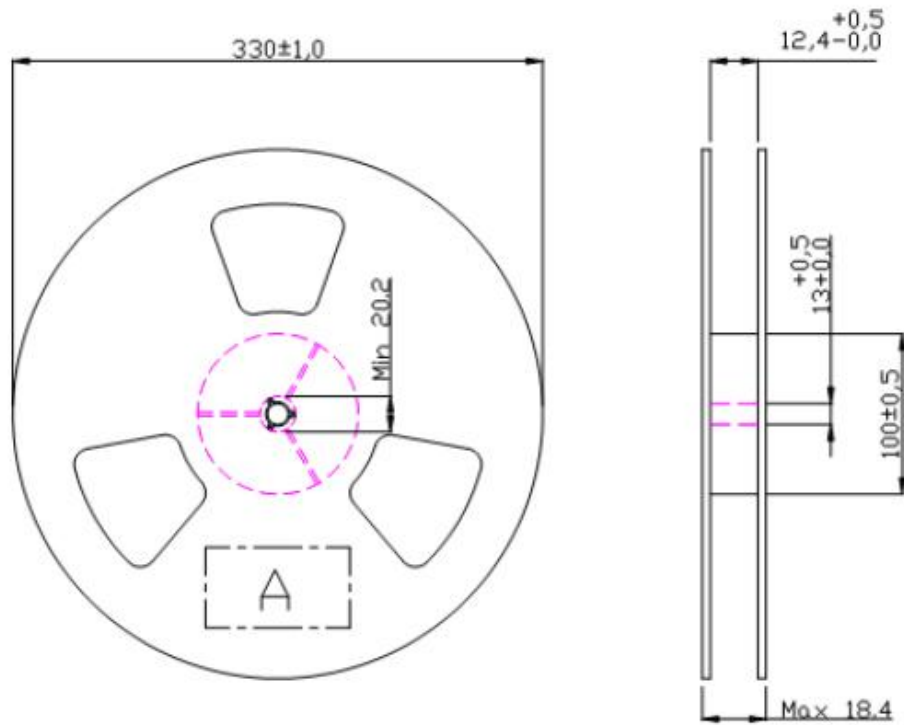
### 4. Carrier tape dimensions



Symbol	ABS
A0	5.31 ± 0.1
B0	7.2 ± 0.1
D0	1.55 ± 0.05
D1	1.5 ± 0.1
P0	4.0 ± 0.1
P1	8.0 ± 0.1
P2	2 ± 0.05
E	1.75 ± 0.1
K0	1.65 ± 0.1
F	5.5 ± 0.05
W	12 ± 0.1
T	0.27 ± 0.03
10P0	40.00 ± 0.2
抗拉拉力	≥ 3KG

Fig 3. Carrier tape dimensions

### 5. Reel dimensions



**Fig 4. Reel dimensions**