

Description

The SMP4050 integrates low capacitance diodes with an additional zener diode to protect each I/O pin against ESD and high surge events. This robust device can safely absorb up to 20A per IEC61000-4-5 ($t_p=8/20 \mu s$) without performance degradation and a minimum $\pm 30kV$ ESD per IEC61000-4-2 International Standard. Their low loading capacitance also makes them ideal for protecting high speed signal pins.

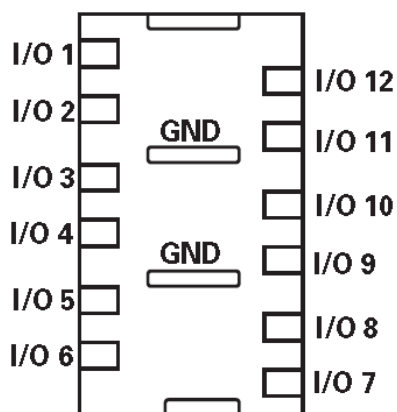
Features

- ESD protection in accordance with:
IEC 61000-4-2 (ESD) $\pm 30kV$ (air), $\pm 30kV$ (contact)
IEC 61000-4-5 (lightning) 20A (8/20 μs)
IEC 61000-4-4 (EFT) 40A (5/50ns)
- Low capacitance: 4.4pF typical per I/O
- Low leakage current of 1 μA (MAX) at 2.5V

Applications

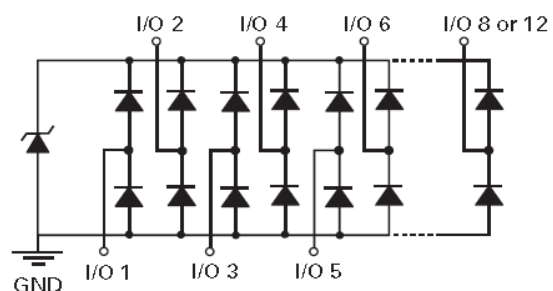
- LCD/PDP TVs
- Desktops
- Game Consoles
- Set Top Boxes
- Notebooks

Pinout



Note: Pinout diagrams above shown as device footprint on circuit board.

Functional Block Diagram



Ordering Information:

Device	Package	Min. Order Qty.
SMP4050-12UTG	μDFN-12 (Pb-Free)	3000

Absolute Maximum Ratings:

Parameter	Symbol	Value	Unit
Peak Pulse Current (tp=8/20μs)	I _{PP}	20	A
Peak Pulse Power (tp=8/20μs)	P _{PK}	300	W
Operating Junction Temperature Range	T _{OP}	-40 to + 85	°C
Storage Temperature Range	T _{STOR}	-50 to + 150	°C

Thermal Information:

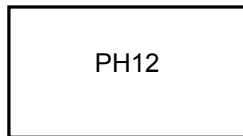
Parameter	Value	Unit
Storage Temperature Range	-65 to + 150	°C
Maximum Junction Temperature	150	°C
Maximum Lead Temperature(Soldering 10s)	260	°C

Electrical Characteristics: (T_{OP}=25°C)

Characteristics	Symbol	Condition	Min.	Typ.	Max.	Units
Reverse Stand-Off Voltage	V _{RWM}	-	-	-	2.5	V
Snap Back Voltage	V _{SB}	I _{SB} =50mA	2.0	-	-	V
Reverse Leakage Current	I _{LEAK}	V _R = 2.5V, I/O to ground	-	0.5	1.0	μA
Clamping Voltage ¹	V _C	I _{PP} = 1A, tp=8/20μs, Fwd	-	4.5	-	V
		I _{PP} = 10A, tp=8/20μs, Fwd	-	8.9	-	V
		I _{PP} = 20A, tp=8/20μs, Fwd	-	13.2	-	V
ESD With stand Voltage ¹	V _{ESD}	IEC61000-4-2 (Contact)	± 30	-	-	kV
		IEC61000-4-2 (Air)	± 30	-	-	kV
Junction Capacitance ¹	C _{I/O-GND}	V _R = 0V, f _{SIG} = 1MHz	-	4.5	5.0	pF
Junction Capacitance ¹	C _{I/O-I/O}	V _R = 0V, f _{SIG} = 1MHz	-	2.2	-	pF

Note: 1. Parameter is guaranteed by design and/or device characterization.

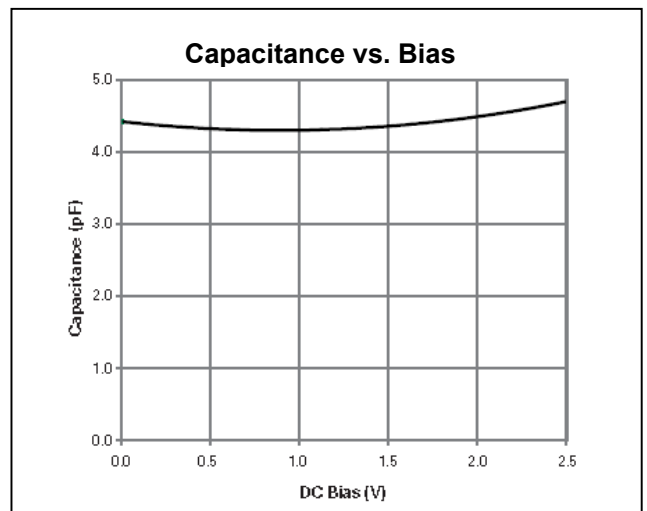
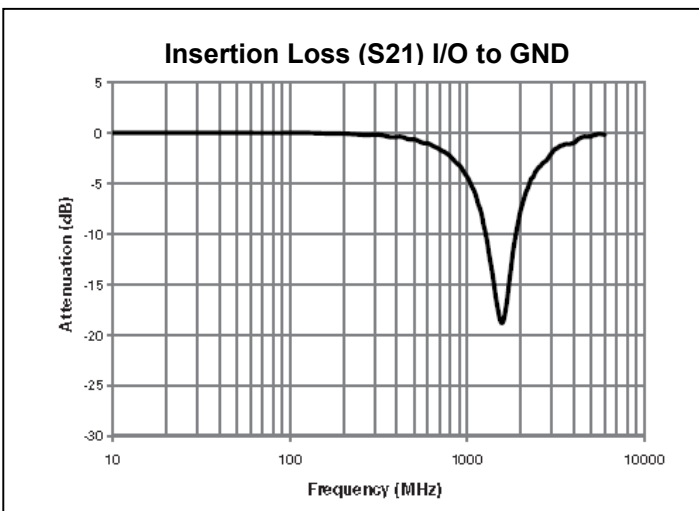
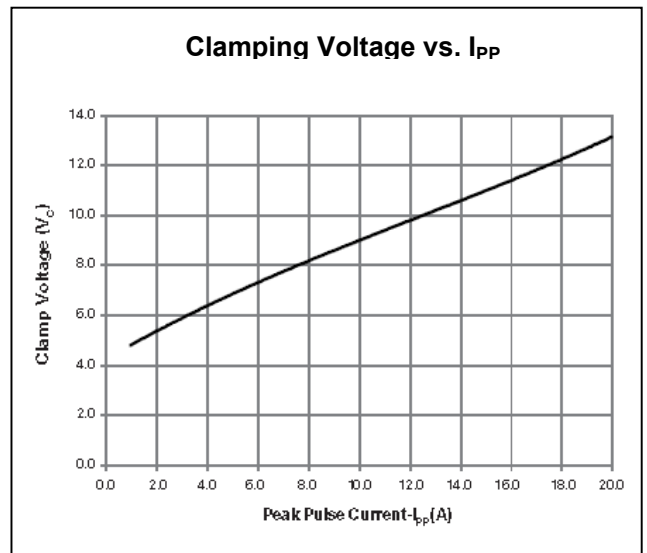
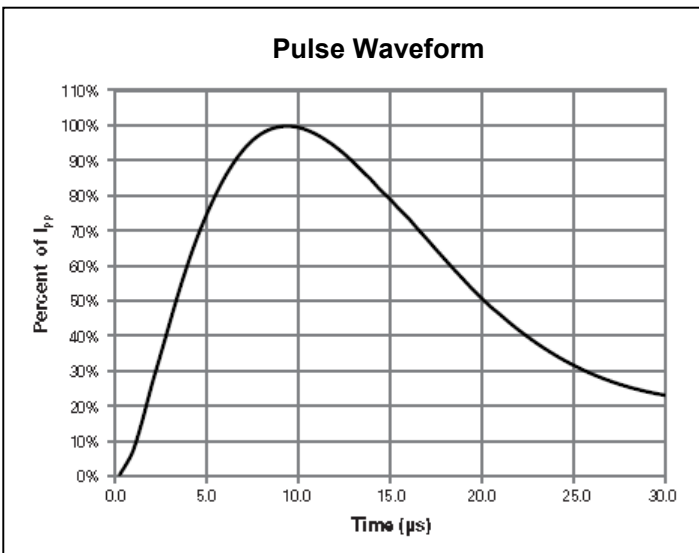
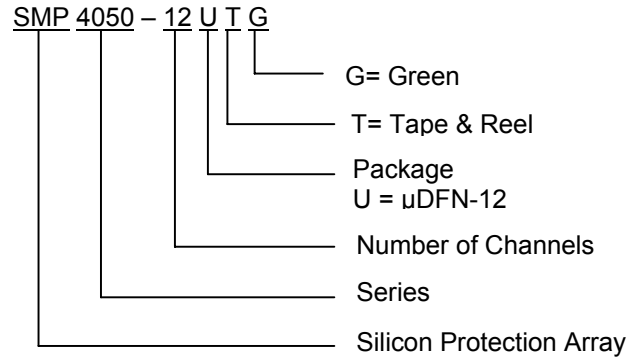
Marking Diagram



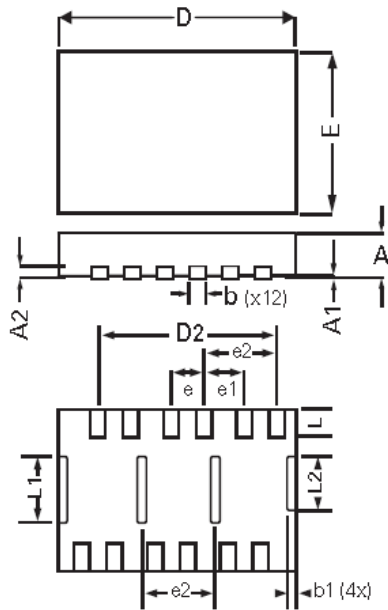
Where PH12 is SMP4050-12UTG

PH12 = Part Name

Part Name Information

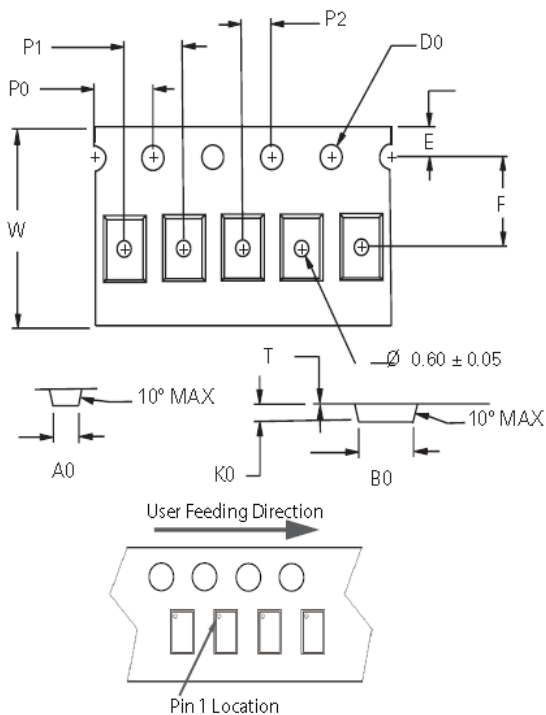


Mechanical Dimensions (In mm/Inches):



Symbol	μDFN-12			
	Millimeters		Inches	
	Min	Max	Min	Max
A	0.50	0.65	0.020	0.026
A1	0.00	0.05	0.00	0.002
A2	0.150 REF		0.006REF	
b	0.15	0.25	0.006	0.010
b1	0.10	0.30	0.004	0.012
D	3.40	3.60	0.134	0.142
D2	2.70		0.106	
E	2.40	2.60	0.095	0.103
e	0.50 BSC		0.020 BSC	
e1	0.60 BSC		0.024 BSC	
e2	1.10 BSC		0.044 BSC	
L	0.30	0.40	0.012	0.016
L1	0.90	1.10	0.036	0.044
L2	0.70	0.90	0.028	0.036

Embossed Carrier Tape & Reel Specification μDFN-12



Symbol	Millimeters		Inches	
	Min	Max	Min	Max
A0	2.63	2.83	0.104	0.112
B0	3.63	3.83	0.143	0.151
D0	1.40	1.60	0.055	0.063
E	1.65	1.85	0.065	0.073
F	5.45	5.55	0.215	0.219
K0	0.85	1.05	0.033	0.041
P0	3.90	4.10	0.154	0.161
P1	3.90	4.10	0.154	0.161
P2	1.95	2.05	0.077	0.081
T	0.18	0.22	0.007	0.009
W	11.90	12.30	0.469	0.484

**DISCLAIMER:**

- 1- The information given herein, including the specifications and dimensions, is subject to change without prior notice to improve product characteristics. Before ordering, purchasers are advised to contact the SMC - Sangdest Microelectronics (Nanjing) Co., Ltd sales department for the latest version of the datasheet(s).
- 2- In cases where extremely high reliability is required (such as use in nuclear power control, aerospace and aviation, traffic equipment, medical equipment, and safety equipment), safety should be ensured by using semiconductor devices that feature assured safety or by means of users' fail-safe precautions or other arrangement.
- 3- In no event shall SMC - Sangdest Microelectronics (Nanjing) Co., Ltd be liable for any damages that may result from an accident or any other cause during operation of the user's units according to the datasheet(s). SMC - Sangdest Microelectronics (Nanjing) Co., Ltd assumes no responsibility for any intellectual property claims or any other problems that may result from applications of information, products or circuits described in the datasheets.
- 4- In no event shall SMC - Sangdest Microelectronics (Nanjing) Co., Ltd be liable for any failure in a semiconductor device or any secondary damage resulting from use at a value exceeding the absolute maximum rating.
- 5- No license is granted by the datasheet(s) under any patents or other rights of any third party or SMC - Sangdest Microelectronics (Nanjing) Co., Ltd.
- 6- The datasheet(s) may not be reproduced or duplicated, in any form, in whole or part, without the expressed written permission of SMC - Sangdest Microelectronics (Nanjing) Co., Ltd.
- 7- The products (technologies) described in the datasheet(s) are not to be provided to any party whose purpose in their application will hinder maintenance of international peace and safety nor are they to be applied to that purpose by their direct purchasers or any third party. When exporting these products (technologies), the necessary procedures are to be taken in accordance with related laws and regulations..