

Technical Data  
Data Sheet N1573, Rev. -

5A Low Dropout Positive Regulator

Description:

The SLR1084 is a low dropout three terminal regulator with 5A output current capability. The output voltage is adjustable with the use of a resistor divider or fixed 1.5V, 1.8V, 2.5V and 3.3V. Dropout voltage is guaranteed to be at maximum of 1.5V with the maximum output current. Its low dropout voltage and fast transient response make it ideal for low voltage microprocessor applications. Current limit and thermal protection provide protection against any overload condition that would create excessive junction temperatures.

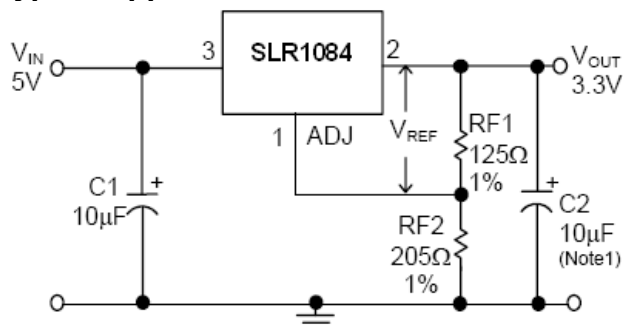
Features:

- Dropout Voltage 1.5V at 5A Output Current.
- Fast Transient Response.
- Extremely Tight Line and Load Regulation.
- Current Limiting and Thermal Protection.
- Adjustable Output Voltage or Fixed 1.5V, 1.8V, 2.5V, 3.3V.
- Standard 3-Pin Power Packages.

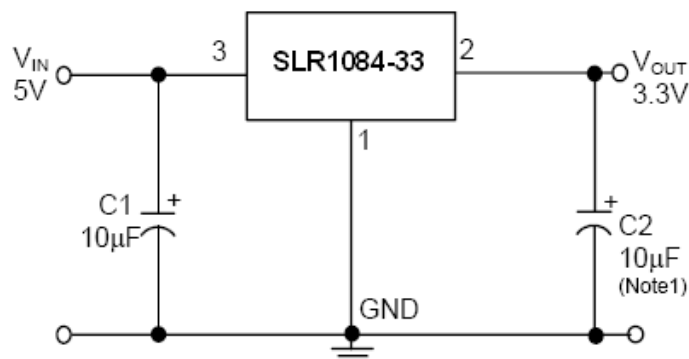
Applications:

- Mother Board I/O Power Supplies.
- Microprocessor Power Supplies.
- High Current Regulator.
- Post Regulator for Switching Supply.

Typical application circuit:



Adjustable Voltage Regulator



Fixed Voltage Regulator

$$V_{REF} = V_{OUT} - V_{ADJ} = 1.25V \text{ (typ.)}$$

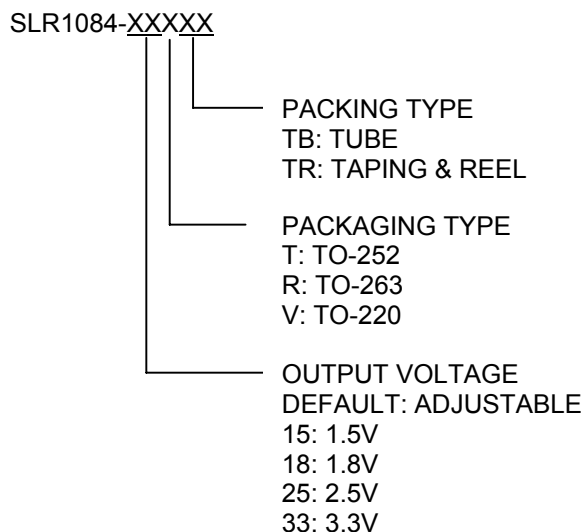
$$V_{OUT} = V_{REF} \times (1 + R_{F2}/R_{F1}) + I_{ADJ} \times R_{F2}$$

$$I_{ADJ} = 55\mu A \text{ (typ.)}$$

- (1) C1 needed if device is far away from filter capacitors.
- (2) C2 required for stability.

**Technical Data**  
**Data Sheet N1573, Rev. -**  
**Ordering Information:**

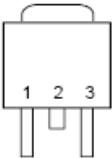
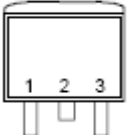
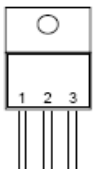
**5A Low Dropout Positive Regulator**



(1.5V version is available under request)

Example: SLR1084-18TTR  
 → 1.8V version in TO-252  
 Package & Taping & Reel Packing Type

Example: SLR1084-18RTR  
 → 1.8V version in TO-263 Lead Free  
 Package & Taping & Reel Packing Type

| PIN CONFIGURATION   |  |
|---|--|
| TO-252<br>TOP VIEW<br><br>1: ADJ (GND)<br>2: VOUT (TAB)<br>3: VIN   |   |
| TO-263<br>TOP VIEW<br><br>1: ADJ (GND)<br>2: VOUT (TAB)<br>3: VIN   |   |
| TO-220<br>FRONT VIEW<br><br>1: ADJ (GND)<br>2: VOUT (TAB)<br>3: VIN |  |

**Absolute Maximum Ratings:**

|   |               |
|---|---------------|
| VIN pin to ADJ/GND pin .....                          | 7V            |
| Ambient Temperature Range .....                       | -40°C to 85°C |
| Maximum Junction Temperature .....                    | 125°C         |
| Storage Temperature Range .....                       | -65°C ~ 150°C |
| Lead Temperature (Soldering) 10 sec. ....             | 260°C         |
| Thermal Resistance Junction to Case TO-252 .....      | 12.5°C/W      |
| TO-263, TO-220.....                                   | 3°C/W         |
| Thermal Resistance Junction to Ambient TO-252 .....   | 100°C/W       |
| (Assume no ambient airflow, no heatsink) TO-263 ..... | 60°C/W        |
| TO-220.....   | 50°C/W        |

Absolute Maximum Ratings are those values beyond which the life of a device may be impaired.

**Test Circuit**

Refer to TYPICAL APPLICATION CIRCUIT.

**Electrical Characteristics**
**( $V_{IN}=5V$ ,  $T_J=25^{\circ}C$ ,  $I_O=10mA$ , unless otherwise specified) (Note2)**

| PARAMETER  | TEST CONDITIONS  | MIN.  | TYP.  | MAX.  | UNIT        |
|--|--|-------|-------|-------|-------------|
| Reference Voltage                                | SLR1084 (ADJ)  | 1.225 | 1.25  | 1.275 | V           |
| Output Voltage                                   | SLR1084-15, $V_{IN}=5V$  | 1.47  | 1.50  | 1.53  | V           |
|  | SLR1084-18, $V_{IN}=5V$  | 1.76  | 1.80  | 1.84  |             |
|  | SLR1084-25, $V_{IN}=5V$  | 2.45  | 2.50  | 2.55  |             |
|  | SLR1084-33, $V_{IN}=5V$  | 3.23  | 3.30  | 3.37  |             |
| Line Regulation                                  | ADJ : $2.75V \leq V_{IN} \leq 7V$<br>$V_{OUT}=1.25V$             |       | 0.015 | 0.2   | %           |
|  | Fix : $V_{OUT}+1.5V \leq V_{IN} \leq 7V$                         |       |       |       |             |
| Load Regulation                                  | $10mA < I_O < 5A$  |       |       | 0.6   | %           |
| Dropout Voltage                                  | $\Delta V_{OUT}, \Delta V_{REF}=1\%$<br>$10mA \leq I_O \leq 5A$  |       | 1.4   | 1.5   | V           |
| Current Limit                                    |  | 5     | 6     |       | A           |
| GND Current (Fix)                                | $V_{OUT}+1.5V \leq V_{IN} \leq 7V$                               |       | 11.5  | 14    | mA          |
| Adjusted Pin Current                             | $2.75V \leq V_{IN} \leq 7V$                                      |       | 55    | 120   | $\mu A$     |
| Adjusted Pin Current Change ( $\Delta I_{ADJ}$ ) | $2.75V \leq V_{IN} \leq 7V$                                      |       | 0.2   | 5     | $\mu A$     |
| Temperature Stability                            | $I_O=0.5A$   |       | 0.5   |       | %           |
| Minimum Load Current                             |  |       | 5     | 10    | mA          |
| RMS Output Noise (% of $V_{OUT}$ )               | $10Hz \leq f \leq 10KHz$   |       | 0.003 |       | %           |
| Ripple Rejection Ratio                           | 120Hz input ripple<br>$C_{OUT}=25\mu F$<br>$(V_{IN}-V_{OUT})=3V$ | 60    | 72    |       | dB          |
| Thermal Shutdown Temperature                     | Note 3   |       | 165   |       | $^{\circ}C$ |

**Note 1:** To avoid output oscillation, aluminum electrolytic output capacitor is recommended and ceramic capacitor is not suggested.

**Note 2:** Specifications are production tested at  $T_A=25^{\circ}C$ . Specifications over the  $-40^{\circ}C$  to  $85^{\circ}C$  operating temperature range are assured by design, characterization and correlation with Statistical Quality Controls (SQC).

**Note 3:** Guarantee by design.

Technical Data  
Data Sheet N1573, Rev. -  
Typical Performance Characteristics

5A Low Dropout Positive Regulator

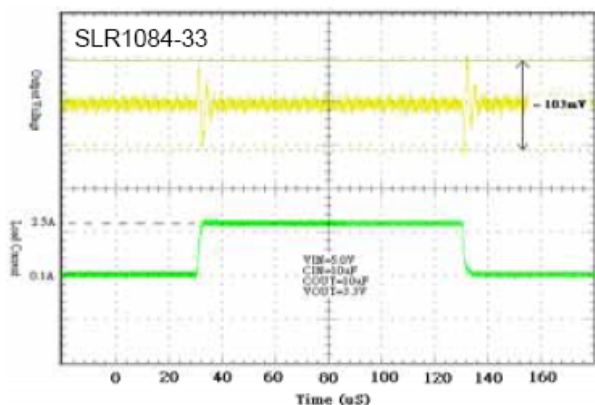


Fig. 1 Load Transient Response

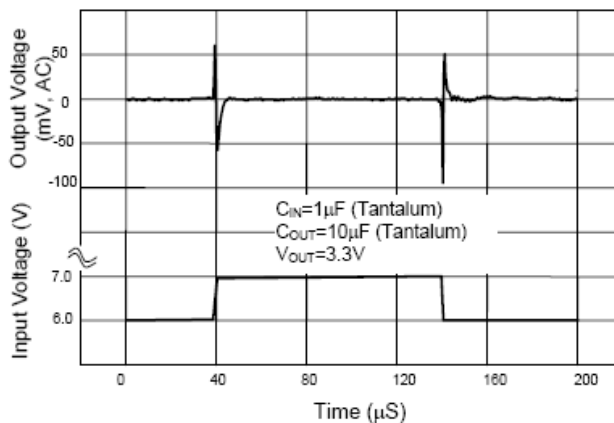


Fig. 2 Line Transient Response

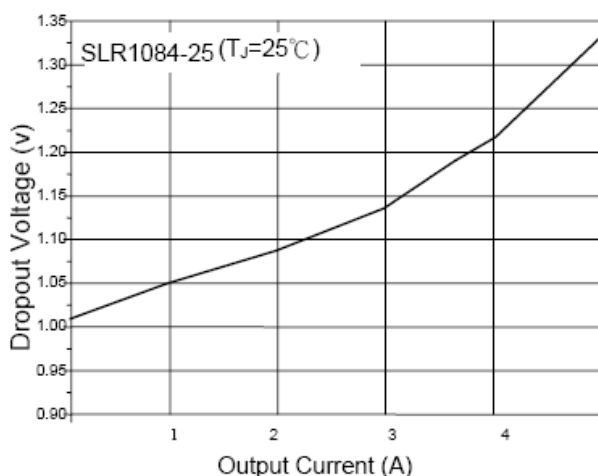


Fig. 3 Dropout Voltage ( $V_{OUT}=2.5$ )

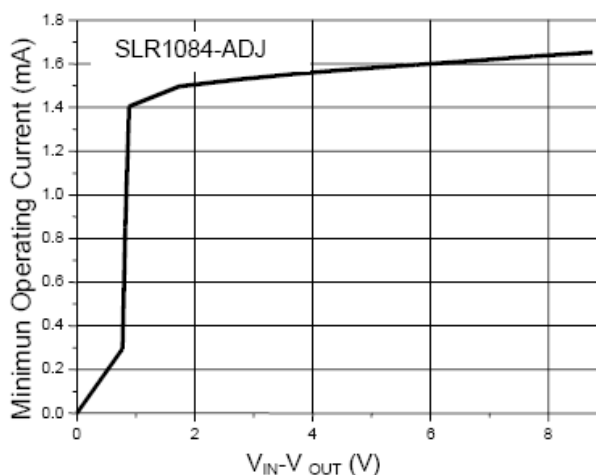


Fig. 4 Minimum Operating Current

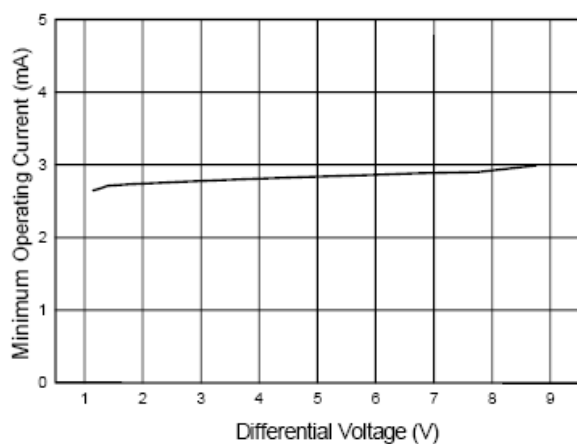


Fig. 5 Minimum Operating Current

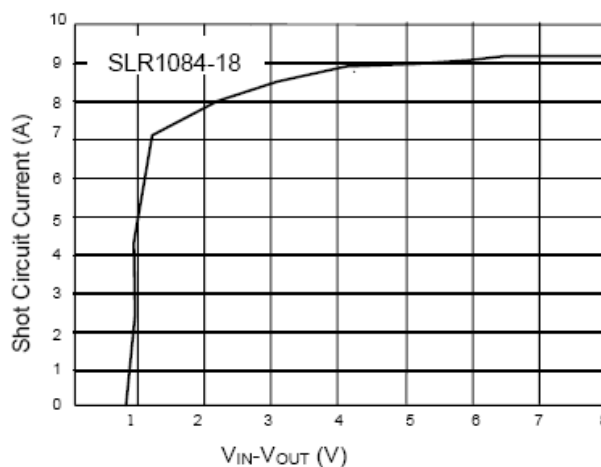


Fig. 6 SLR1084(1.8) Short Circuit Current

Typical Performance Characteristics (Continued)

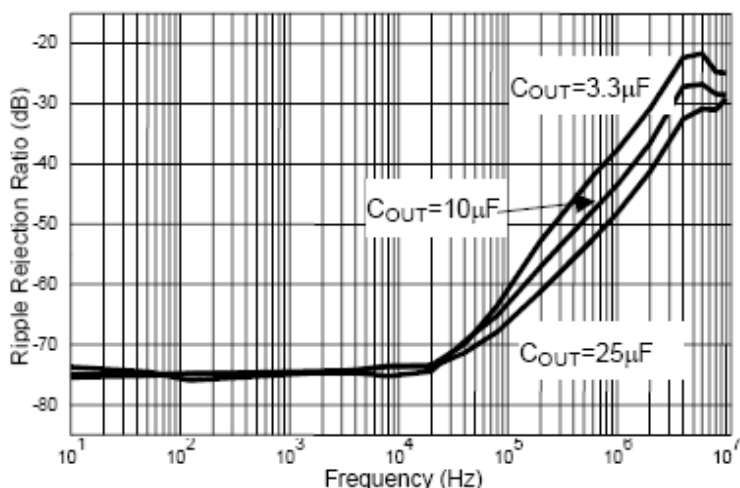
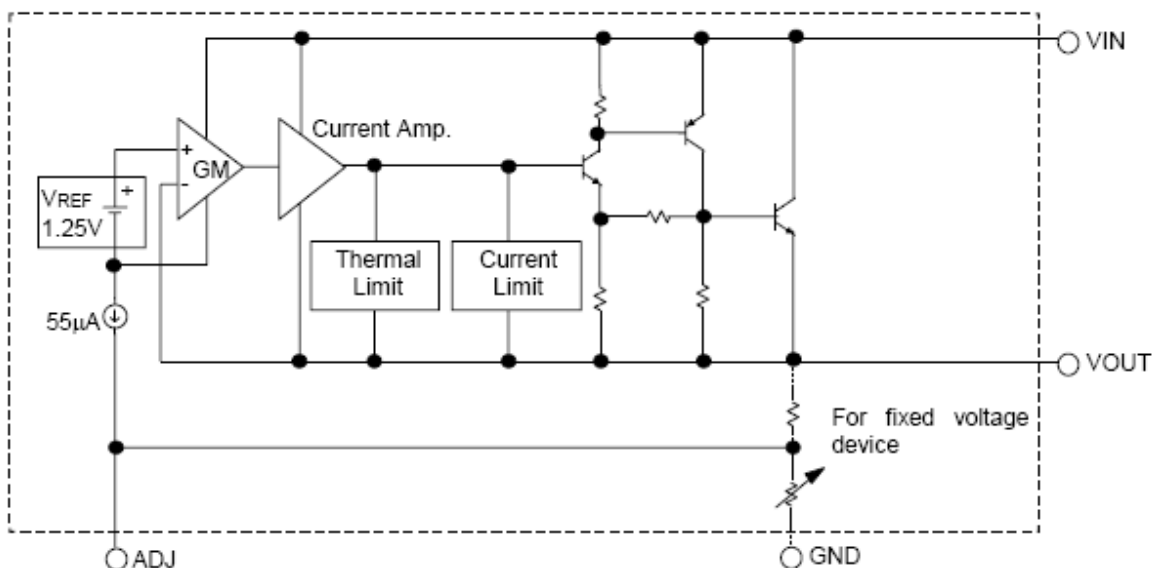


Fig. 7 SLR1084 (ADJ.) Ripple Rejection

Block Diagram



Pin Descriptions

- ADJ PIN - Providing  $V_{REF} = 1.25V$  (typ.) for adjustable  $V_{OUT}$ .  $V_{REF} = V_{OUT} - V_{ADJ}$  and  $I_{ADJ} = 55\mu A$  (typ.) (GND PIN- Power ground.)
- VOUT PIN - Adjustable output voltage.
- VIN PIN - Power Input.

**Technical Data**  
**Data Sheet N1573, Rev. -**  
**Application Information**
**5A Low Dropout Positive Regulator**
**INPUT-OUTPUT CAPACITORS**

Linear regulators require input and output capacitors to maintain stability. Input capacitor at 10 $\mu$ F with a 10 $\mu$ F aluminum electrolytic output capacitor is recommended.

**POWER DISSIPATION**

The SLR1084 obtains thermal-limiting circuitry, which is designed to protect the device against overload condition. For continuous load condition, maximum rating of junction temperature must not be exceeded. It is important to pay more attention in thermal resistance. It includes junction to case, junction to ambient. The maximum power dissipation of SLR1084 depends on the thermal resistance of its case and circuit board, the temperature difference between the die junction and ambient air, and the rate of airflow. The rate of temperature rise is greatly affected by the mounting pad configuration on the PCB, the board material, and the ambient temperature. When the IC mounting with good thermal conductivity is used, the junction temperature will be low even when large power dissipation applies.

The power dissipation across the device is

$$P = I_{OUT}(V_{IN} - V_{OUT}).$$

The maximum power dissipation is:

$$P_{MAX} = \frac{(T_{J-max} - T_A)}{R_{\theta JA}}$$

Where  $T_{J-max}$  is the maximum allowable junction temperature (125°C), and  $T_A$  is the ambient temperature suitable in application.

As a general rule, the lower temperature is, the better reliability of the device is. So the PCB mounting pad should provide maximum thermal conductivity to maintain low device temperature.

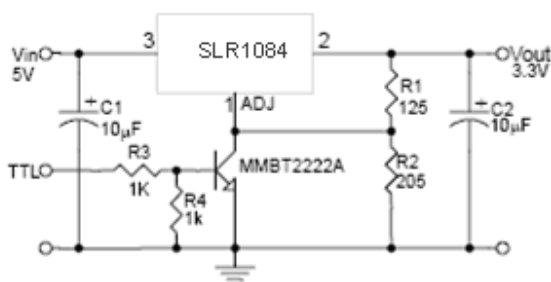
**Application Examples**


Fig. 8  $V_{OUT}=3.3V$  with Shutdown

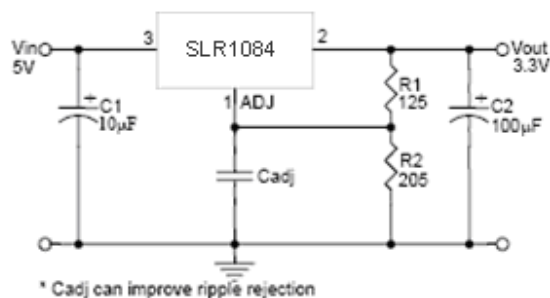


Fig. 9 Improving Ripple Rejection

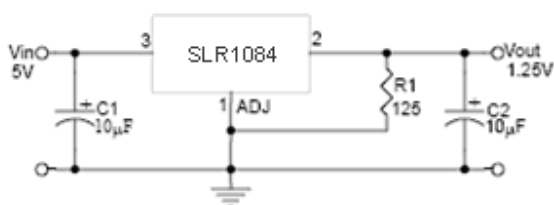


Fig. 10  $V_{OUT}=1.25V$  Application Circuit

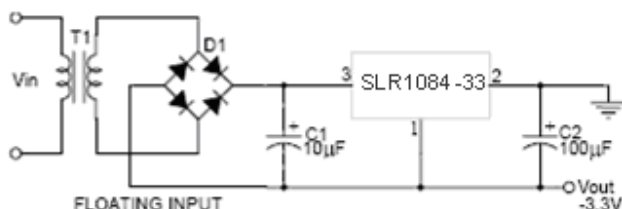
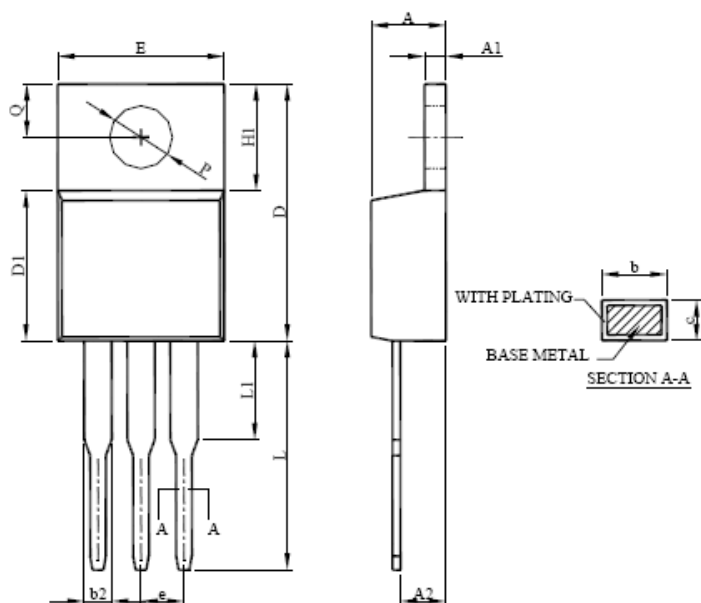


Fig. 11 Low Dropout Negative Supply

Physical Dimensions

TO-220 (unit: mm)

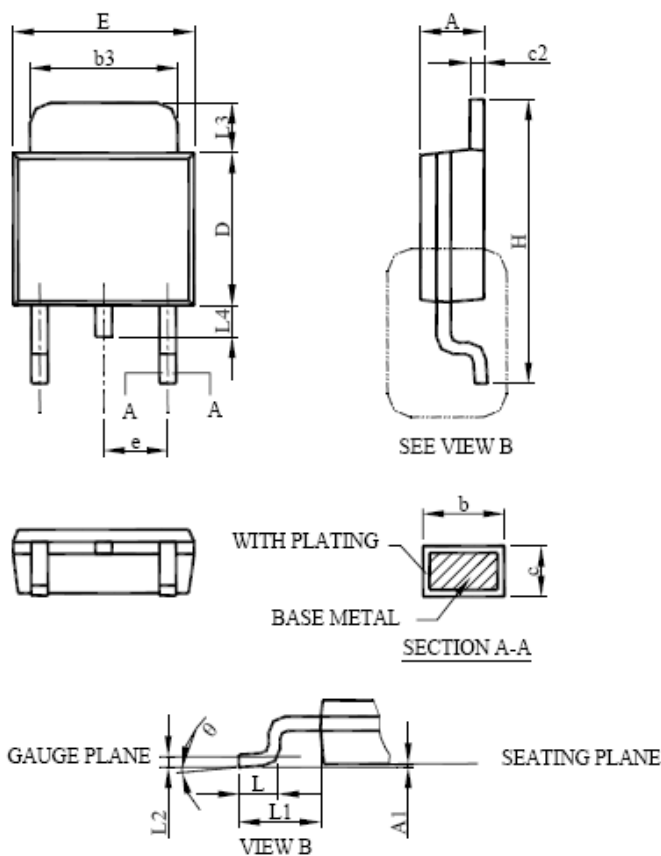


| SYMBOL | TO-220      |       |
|--------|-------------|-------|
|        | MILLIMETERS |       |
|        | MIN.        | MAX.  |
| A      | 3.56        | 4.82  |
| A1     | 0.51        | 1.39  |
| A2     | 2.04        | 2.92  |
| b      | 0.38        | 1.01  |
| b2     | 1.15        | 1.77  |
| c      | 0.35        | 0.61  |
| D      | 14.23       | 16.51 |
| D1     | 8.38        | 9.02  |
| E      | 9.66        | 10.66 |
| e      | 2.54 BSC    |       |
| H1     | 5.85        | 6.85  |
| L      | 12.70       | 14.73 |
| L1     | --          | 6.35  |
| P      | 3.54        | 4.08  |
| Q      | 2.54        | 3.42  |

Note:

1. Refer to JEDEC TO-220AB.
2. Controlling dimension is millimeter, converted inch dimensions are not necessarily exact.

TO-252 (unit: mm)



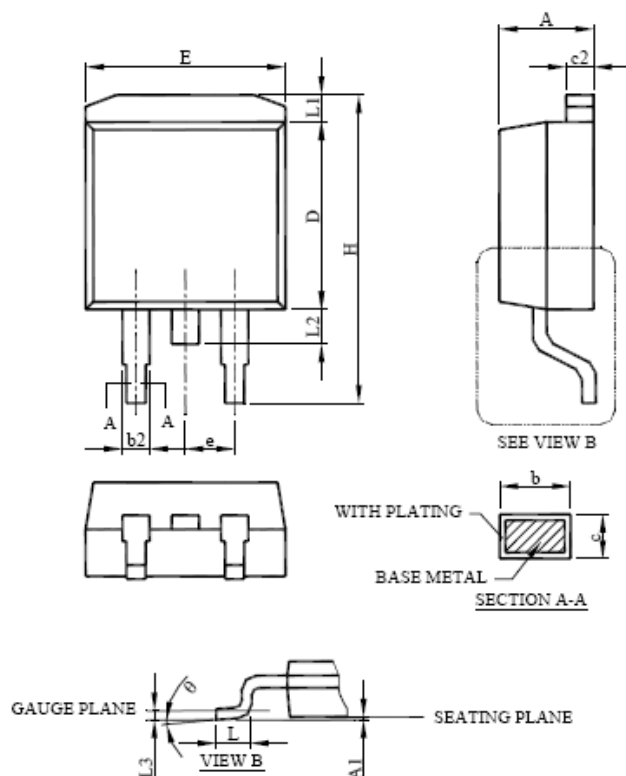
| SYMBOL | TO-252-3L   |       |
|--------|-------------|-------|
|        | MILLIMETERS |       |
|        | MIN.        | MAX.  |
| A      | 2.19        | 2.38  |
| A1     | 0.00        | 0.13  |
| b      | 0.64        | 0.89  |
| b3     | 4.95        | 5.46  |
| c      | 0.46        | 0.61  |
| c2     | 0.46        | 0.89  |
| D      | 5.33        | 6.22  |
| E      | 6.35        | 6.73  |
| e      | 2.28 BSC    |       |
| H      | 9.40        | 10.41 |
| L      | 1.40        | 1.78  |
| L1     | 2.67 REF    |       |
| L2     | 0.51 BSC    |       |
| L3     | 0.89        | 2.03  |
| L4     | --          | 1.02  |
| θ      | 0°          | 8°    |

Note:

1. Refer to JEDEC TO-252AA and AB.
2. Dimension D and E do not include mold flash, protrusions or gate burrs. Mold flash, protrusion or gate burrs shall not exceed 6 mil per side.
3. Controlling dimension is millimeter, converted inch dimensions are not necessarily exact.



TO-263 (unit: mm)



| SYMBOL | TO-263-3L   |       |
|--------|-------------|-------|
|        | MILLIMETERS |       |
|        | MIN.        | MAX.  |
| A      | 4.06        | 4.83  |
| A1     | 0.00        | 0.25  |
| b      | 0.51        | 0.99  |
| b2     | 1.14        | 1.78  |
| c      | 0.38        | 0.74  |
| c2     | 1.14        | 1.65  |
| D      | 8.38        | 9.65  |
| E      | 9.65        | 10.67 |
| e      | 2.54 BSC    |       |
| H      | 14.61       | 15.88 |
| L      | 1.78        | 2.79  |
| L1     | --          | 1.68  |
| L2     | --          | 1.78  |
| L3     | 0.25 BSC    |       |
| θ      | 0°          | 8°    |

Note:

1. Refer to JEDEC TO-263AB.
2. Controlling dimension is millimeter, converted inch dimensions are not necessarily exact.



SLR1084

Technical Data  
Data Sheet N1573, Rev. -

5A Low Dropout Positive Regulator

**DISCLAIMER:**

- 1- The information given herein, including the specifications and dimensions, is subject to change without prior notice to improve product characteristics. Before ordering, purchasers are advised to contact the SMC - Sangdest Microelectronics (Nanjing) Co., Ltd sales department for the latest version of the datasheet(s).
- 2- In cases where extremely high reliability is required (such as use in nuclear power control, aerospace and aviation, traffic equipment, medical equipment, and safety equipment), safety should be ensured by using semiconductor devices that feature assured safety or by means of users' fail-safe precautions or other arrangement.
- 3- In no event shall SMC - Sangdest Microelectronics (Nanjing) Co., Ltd be liable for any damages that may result from an accident or any other cause during operation of the user's units according to the datasheet(s). SMC - Sangdest Microelectronics (Nanjing) Co., Ltd assumes no responsibility for any intellectual property claims or any other problems that may result from applications of information, products or circuits described in the datasheets.
- 4- In no event shall SMC - Sangdest Microelectronics (Nanjing) Co., Ltd be liable for any failure in a semiconductor device or any secondary damage resulting from use at a value exceeding the absolute maximum rating.
- 5- No license is granted by the datasheet(s) under any patents or other rights of any third party or SMC - Sangdest Microelectronics (Nanjing) Co., Ltd.
- 6- The datasheet(s) may not be reproduced or duplicated, in any form, in whole or part, without the expressed written permission of SMC - Sangdest Microelectronics (Nanjing) Co., Ltd.
- 7- The products (technologies) described in the datasheet(s) are not to be provided to any party whose purpose in their application will hinder maintenance of international peace and safety nor are they to be applied to that purpose by their direct purchasers or any third party. When exporting these products (technologies), the necessary procedures are to be taken in accordance with related laws and regulations..