

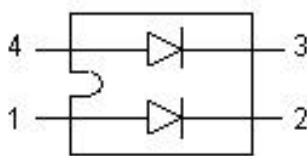
SK2S120-100 High Voltage Power Schottky Rectifier



Features

- International standard package SOT-227
- Epoxy meets UL 94V-0
- Extremely low switching losses
- Low I_{RM} -values
- Copper internally DBC isolated
- This is a Pb – Free Device
- All SMC parts are traceable to the wafer lot
- Additional testing can be offered upon request

Circuit Diagram



Applications

- Rectifiers in switch mode power Supplies(SMPS)
- Free wheeling diode in low voltage Converters

Advantages

- High reliability circuit operation
- Low voltage peaks for reduced Protection circuits
- Low noise switching
- Low losses

Maximum Ratings:

Characteristics	Symbol	Condition	Max.	Units
Peak Repetitive Reverse Voltage Working Peak Reverse Voltage DC Blocking Voltage	V_{RRM} V_{RWM} V_R	-	100	V
Average Rectified Forward Current	$I_{F(AV)}$	50% duty cycle @ $T_c = 105^\circ\text{C}$, rectangular wave form	60(Per Leg) 120(Per Device)	A
Peak One Cycle Non-Repetitive Surge Current (Per Leg)	I_{FSM}	8.3 ms, half Sine pulse	700	A

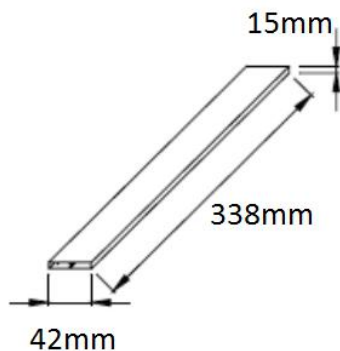
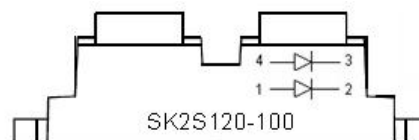
Electrical Characteristics:

Characteristics	Symbol	Condition	Typ.	Max.	Units
Forward Voltage Drop(Per Leg)*	V _{F1}	@ 60A, Pulse, T _J = 25 °C @ 120A, Pulse, T _J = 25 °C	-	0.91 1.10	V
	V _{F2}	@ 60A, Pulse, T _J = 125 °C @ 120A, Pulse, T _J = 125 °C	-	0.74 0.95	V
Reverse Current(Per Leg)*	I _{R1}	@V _R = rated V _R , T _J = 25 °C	-	2	mA
	I _{R2}	@V _R = rated V _R , T _J = 125 °C	-	20	mA

* Pulse width < 300 μs, duty cycle < 2%

Thermal-Mechanical Specifications:

Characteristics	Symbol	Condition	Specification	Units
Junction Temperature	T _J	-	-55 to +150	°C
Storage Temperature	T _{stg}	-	-55 to +150	°C
Thermal Resistance Junction to Case(Per Leg)	R _{θJC}	DC operation	0.9	°C/W
Thermal Resistance Junction to Case(Peg Device)	R _{θJC}	DC operation	0.5	°C/W
Mounting torque(M4)	M _D	-	1.1-1.5/9-13	Nm/
Terminal connection torque(M4)			1.1-1.5/9-13	lb.in.
Typical Approximate Weight	wt	-	30	g

Tube Specification

Marking Diagram


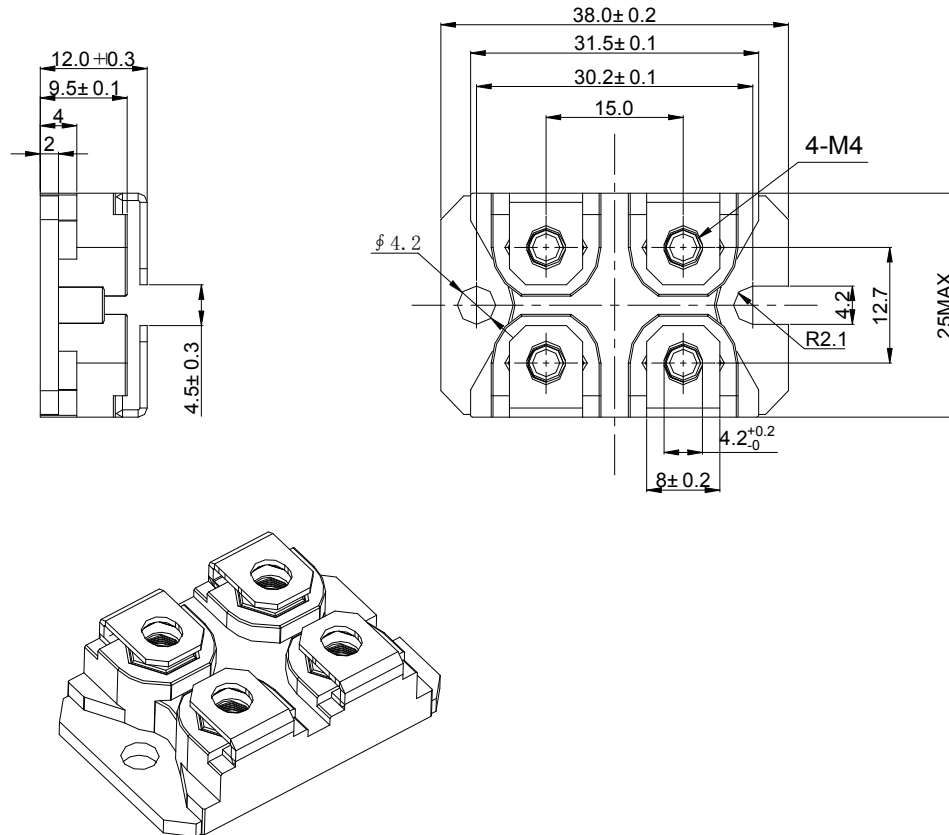
S = SMC's Power Module
 K = SOT-227 Package
 2 = Circuit Configuration
 S = Schottky Rectifier
 120 = Forward Current (120A)
 100 = Reverse Voltage (100V)

Ordering Information

Device	Package	Shipping
SK2S120-100	SOT-227 (Pb-Free)	10pcs / tube

For information on tape and reel specifications, including part orientation and tape sizes, please refer to our tape and reel packaging specification.

Mechanical Dimensions SOT-227(Millimeters)



DISCLAIMER:

- 1- The information given herein, including the specifications and dimensions, is subject to change without prior notice to improve product characteristics. Before ordering, purchasers are advised to contact the SMC - Sangdest Microelectronics (Nanjing) Co., Ltd sales department for the latest version of the datasheet(s).
- 2- In cases where extremely high reliability is required (such as use in nuclear power control, aerospace and aviation, traffic equipment, medical equipment, and safety equipment), safety should be ensured by using semiconductor devices that feature assured safety or by means of users' fail-safe precautions or other arrangement.
- 3- In no event shall SMC - Sangdest Microelectronics (Nanjing) Co., Ltd be liable for any damages that may result from an accident or any other cause during operation of the user's units according to the datasheet(s). SMC - Sangdest Microelectronics (Nanjing) Co., Ltd assumes no responsibility for any intellectual property claims or any other problems that may result from applications of information, products or circuits described in the datasheets.
- 4- In no event shall SMC - Sangdest Microelectronics (Nanjing) Co., Ltd be liable for any failure in a semiconductor device or any secondary damage resulting from use at a value exceeding the absolute maximum rating.
- 5- No license is granted by the datasheet(s) under any patents or other rights of any third party or SMC - Sangdest Microelectronics (Nanjing) Co., Ltd.
- 6- The datasheet(s) may not be reproduced or duplicated, in any form, in whole or part, without the expressed written permission of SMC - Sangdest Microelectronics (Nanjing) Co., Ltd.
- 7- The products (technologies) described in the datasheet(s) are not to be provided to any party whose purpose in their application will hinder maintenance of international peace and safety nor are they to be applied to that purpose by their direct purchasers or any third party. When exporting these products (technologies), the necessary procedures are to be taken in accordance with related laws and regulations..