

## SICR12650 / SICRB12650 / SICRD12650 / SICRF12650 650V SiC POWER SCHOTTKY RECTIFIER

### Description

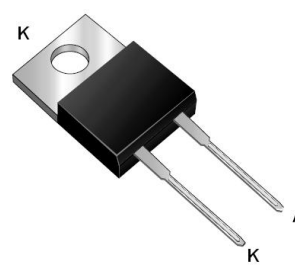
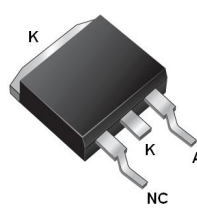
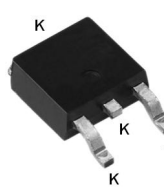


SICR12650/ SICRB12650/ SICRD12650/ SICRF12650 are all single SiC Schottky rectifiers packaged in TO-220AC, D2PAK, DPAK and ITO-220AC case. The device is a high voltage Schottky rectifier that has very low total conduction losses and very stable switching characteristics over temperature extremes. The SICR12650/ SICRB12650/ SICRD12650/ SICRF12650 are ideal for energy sensitive, high frequency applications in challenging environments.

### Applications

- Alternative energy inverters
- Power Factor Correction (PFC)
- Free-Wheeling diodes
- Switching supply output rectification
- Reverse polarity protection

### Features

- 175°C T<sub>J</sub> operation
- Ultra-low switching loss
- Switching speeds independent of operating temperature
- Low total conduction losses
- High forward surge current capability
- High package isolation voltage
- Guard ring for enhanced ruggedness and long term reliability
- Pb - Free Device
- All SMC parts are traceable to the wafer lot
- Additional electrical and life testing can be performed upon request

SICR12650	SICRB12650	SICRD12650	SICRF12650
			
TO-220AC	D <sup>2</sup> PAK	DPAK	ITO-220AC
			

### Maximum Ratings:

Characteristics	Symbol	Condition	Max.	Units
Peak Repetitive Reverse Voltage Working Peak Reverse Voltage DC Blocking Voltage	V <sub>RRM</sub> V <sub>RWM</sub> V <sub>R</sub>	-	650	V
Average Rectified Forward Current	I <sub>F(AV)</sub>	50% duty cycle @T <sub>c</sub> =110°C, rectangular wave form	12	A
Peak One Cycle Non-Repetitive Surge Current	I <sub>FSM</sub>	10ms, Half Sine pulse, T <sub>c</sub> =25°C	50	A

### Electrical Characteristics:

Characteristics	Symbol	Condition	Typ.	Max.	Units
Forward Voltage Drop*	$V_{F1}$	@ 12A, Pulse, $T_J = 25\text{ }^\circ\text{C}$	1.5	1.7	V
	$V_{F2}$	@ 12A, Pulse, $T_J = 150\text{ }^\circ\text{C}$	1.6	2.1	V
Reverse Current at DC condition*	$I_{R1}$	@ $V_R = \text{rated } V_R$ $T_J = 25\text{ }^\circ\text{C}$	30	150	$\mu\text{A}$
	$I_{R2}$	@ $V_R = \text{rated } V_R$ $T_J = 125\text{ }^\circ\text{C}$	200	1500	$\mu\text{A}$
Total Capacitive charge	$Q_C$	$V_r = 400\text{ V}$ , $I_F = 12\text{ A}$ $dI_F/dt = -200\text{ A}/\mu\text{s}$ , $T_J = 150\text{ }^\circ\text{C}$	12	-	nC
Junction Capacitance	$C_T$	@ $V_R = 0\text{ V}$ , $T_C = 25\text{ }^\circ\text{C}$ , $f_{SIG} = 1\text{ MHz}$ @ $V_R = 400\text{ V}$ , $T_C = 25\text{ }^\circ\text{C}$ , $f_{SIG} = 1\text{ MHz}$	750 75	-	pF
Voltage Rate of Change	$dv/dt$	-	-	10,000	V/ $\mu\text{s}$
RSM Isolation Voltage ( $t = 1.0\text{ second}$ , R. H. $\leq 30\%$ , $T_A = 25\text{ }^\circ\text{C}$ )	$V_{ISO}$	Clip mounting, the epoxy body away from the heatsink edge by more than 0.110" along the lead direction.	-	4500	V
		Clip mounting, the epoxy body is inside the heatsink.	-	3500	
		Screw mounting, the epoxy body is inside the heatsink.	-	1500	

\* Pulse width  $< 300\text{ }\mu\text{s}$ , duty cycle  $< 2\%$

### Thermal-Mechanical Specifications:

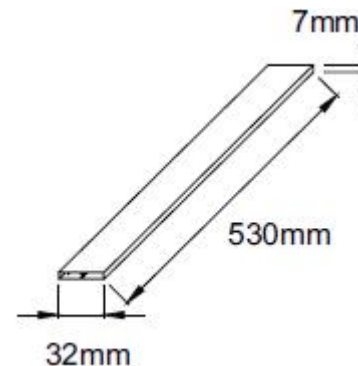
Characteristics	Symbol	SICR12650	SICRB12650	SICRD12650	SICRF12650	Units
Junction Temperature	$T_J$	-55 to +175				$^\circ\text{C}$
Storage Temperature	$T_{stg}$	-55 to +175				$^\circ\text{C}$
Maximum Thermal Resistance Junction to Case	$R_{\theta JC}$	2.4	2.4	2.4	4.2	$^\circ\text{C}/\text{W}$

### Ordering Information

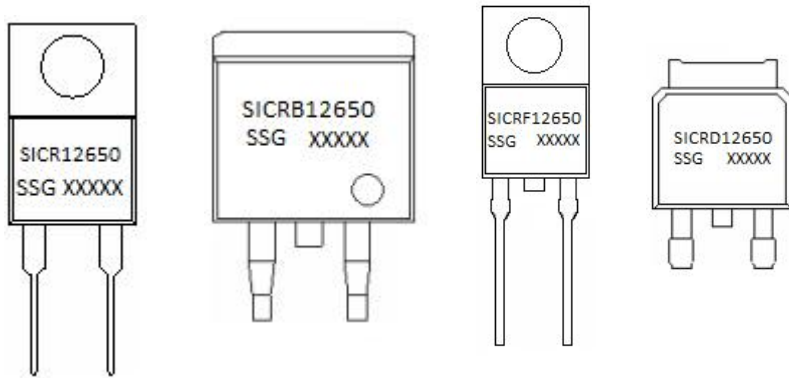
Device	Package	Weight	Shipping
SICR12650	TO-220AC	1.8g	50pcs / tube
SICRB12650	D <sup>2</sup> PAK	1.85g	800pcs / reel
SICRD12650	DPAK	0.39g	2500pcs / reel
SICRF12650	ITO-220AC	1.8g	50pcs / tube

For information on tape and reel specifications, including part orientation and tape sizes, please refer to our tape and reel packaging specification.

### Tube Specification(TO-220AC/ITO-220AC)



## Marking Diagram

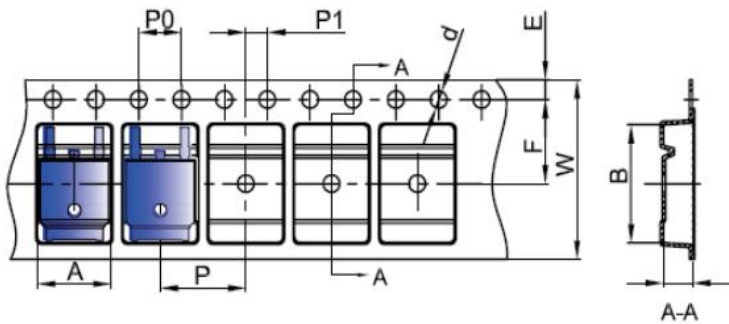


Where XXXXX is YYWWL

SICR = Device Type  
B/D/F = Package type  
12 = Forward Current (12A)  
650 = Reverse Voltage (650V)  
SSG = SSG  
YY = Year  
WW = Week  
L = Lot Number

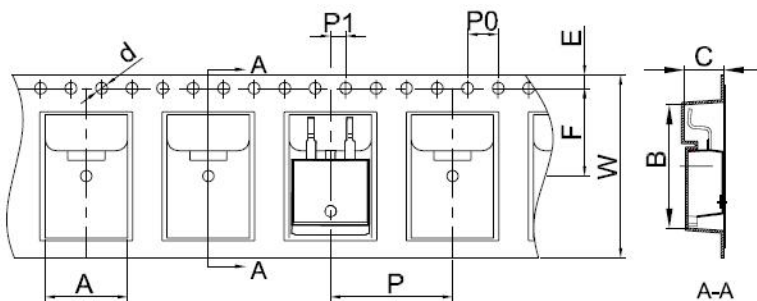
**Cautions:** Molding resin  
Epoxy resin UL:94V-0

## Carrier Tape & Reel Specification DPAK



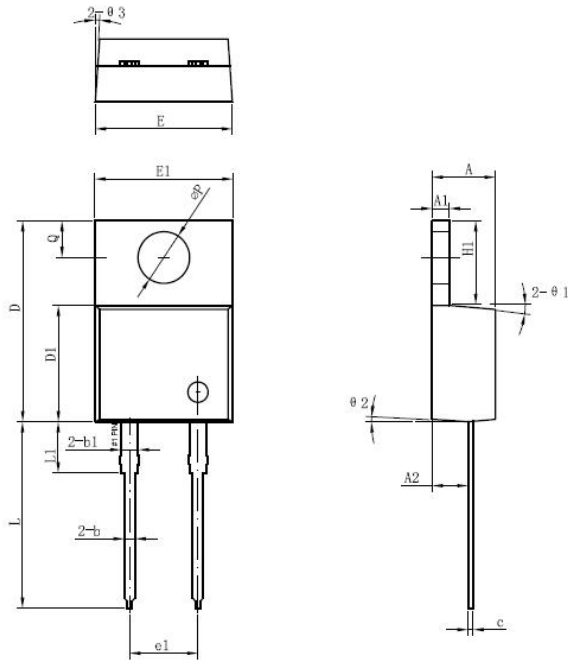
SYMBOL	Millimeters	
	Min.	Max.
A	6.80	7.00
B	10.40	10.60
C	2.60	2.80
d	Φ1.45	Φ1.65
E	1.65	1.85
F	7.40	7.60
P0	3.90	4.10
P	7.90	8.10
P1	1.90	2.10
W	15.90	16.30

## Carrier Tape & Reel Specification D2PAK



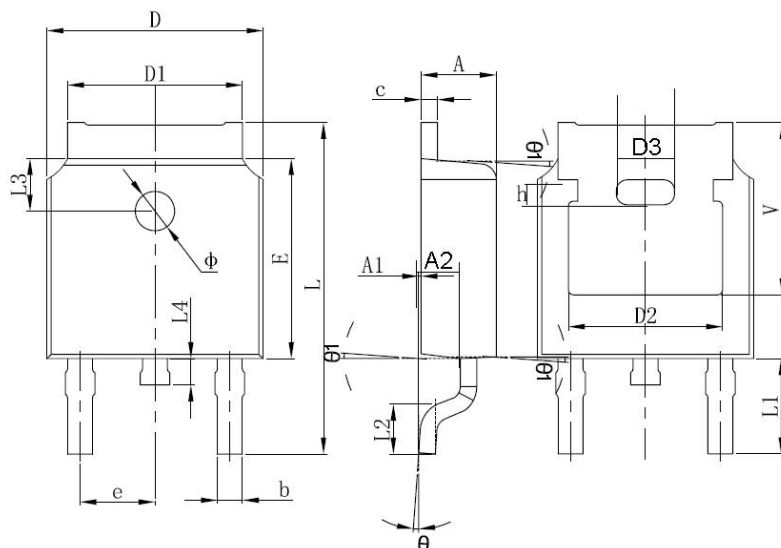
SYMBOL	Millimeters	
	Min.	Max.
A	10.70	10.90
B	16.03	16.23
C	5.11	5.31
d	1.45	1.65
E	1.65	1.85
F	11.40	11.60
P0	3.90	4.10
P	15.90	16.10
P1	1.90	2.10
W	23.90	24.30

### Mechanical Dimensions TO-220AC



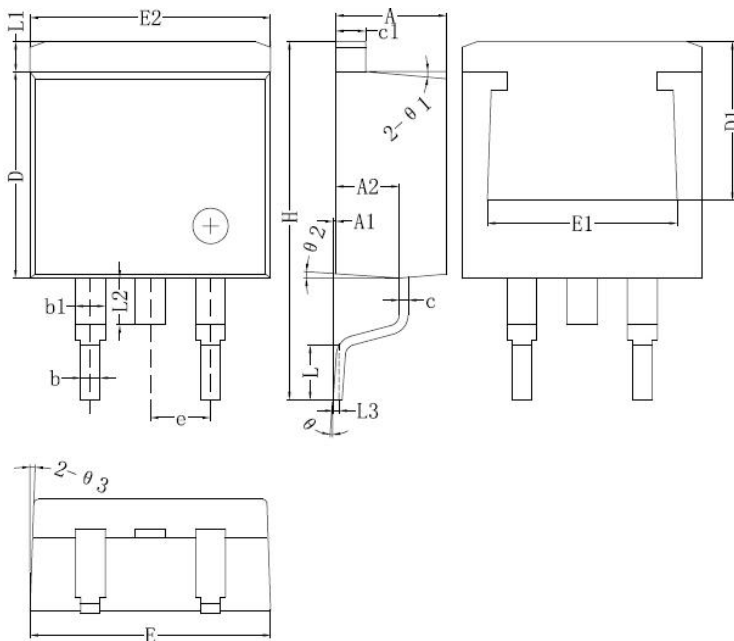
Symbol	Dimensions in millimeters		
	Min.	Typical	Max.
A	4.47	4.70	4.85
A1	1.17	1.27	1.37
A2	2.52	2.69	2.89
b	0.71	0.81	0.96
b1	1.17	1.27	1.37
c	0.31	0.38	0.61
D	14.64	14.94	15.24
D1	8.50	8.07	8.90
E	10.01	10.16	10.31
E1	9.98	10.18	10.38
e1	4.98	5.08	5.18
H1	6.04	6.24	6.44
L	13.00	13.86	14.08
L1	3.56	3.80	3.96
$\Phi P$	3.74	3.84	4.04
Q	2.54	2.74	2.94
$\Theta 1$		5°	
$\Theta 2$		4°	
$\Theta 3$		4°	

### Mechanical Dimensions DPAK



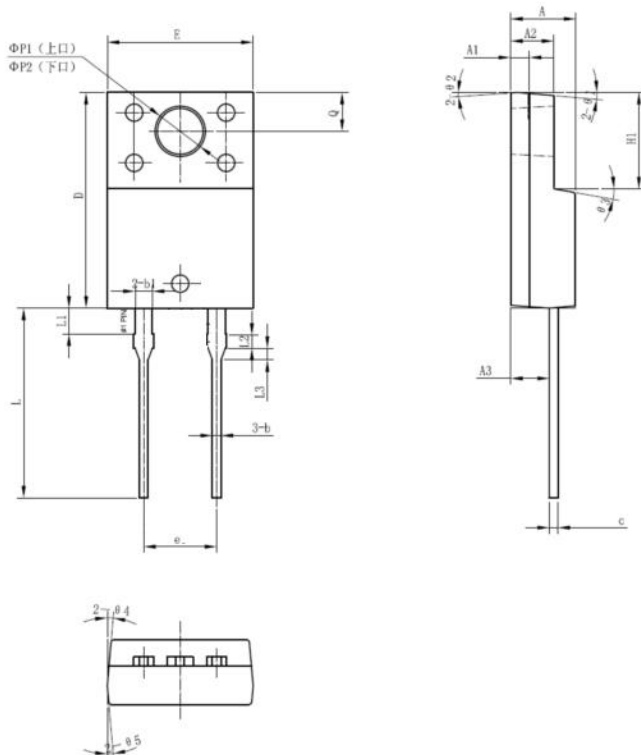
SYMBOL	Millimeters		Inches	
	Min.	Max.	Min.	Max.
A	2.20	2.40	0.087	0.094
A1	0.00	0.127	0.000	0.005
b	0.66	0.86	0.026	0.034
c	0.46	0.60	0.018	0.024
D	6.50	6.70	0.256	0.264
D1	5.13	5.46	0.202	0.215
D2	4.83 REF.		0.190 REF.	
E	6.00	6.20	0.236	0.244
e	2.186	2.386	0.086	0.094
L	9.70	10.40	0.381	0.409
L1	2.90 REF.		0.144 REF.	
L2	1.40	1.70	0.055	0.067
L3	1.60 REF.		0.063 REF.	
L4	0.60	1.00	0.024	0.039
$\Phi$	1.10	1.30	0.043	0.051
$\theta$	0°	8°	0°	8°
h	0.00	0.30	0.000	0.012
V	5.35 REF.		0.211 REF.	

**Mechanical Dimensions D<sup>2</sup>PAK**



Symbol	Dimensions in millimeters		
	Min.	Typical	Max.
A	4.55	4.70	4.85
A1	0	0.10	0.25
A2	2.59	2.69	2.89
b	0.71	0.81	0.96
b1		1.27	
c	0.36	0.38	0.61
c1	1.17	1.27	1.37
D	8.55	8.70	8.85
D1	6.40		
E	10.01	10.16	10.31
E1	7.6		
E2	9.98	10.08	10.18
e		2.54	
H	14.6	15.1	15.6
L	2.00	2.30	2.70
L1	1.17	1.27	1.40
L2			2.20
L3		0.25BSC	
e	0	-	8°
e1		5°	
e2		4°	
e3		4°	

**Mechanical Dimensions ITO-220AC**



SYMBOL	Millimeters		
	MIN.	TYP.	MAX.
A	4.30	4.50	4.70
A1	1.10	1.30	1.50
A2	2.50	3.00	3.20
A3	2.50	2.70	2.90
b	0.50	0.60	0.85
b1	1.10	1.20	1.35
c	0.50	0.60	0.85
D	14.80	15.00	15.20
E	9.96	10.16	10.36
e	-	5.10	-
H1	6.50	6.70	6.90
L	12.70	13.20	13.70
L1	1.60	1.80	2.00
L2	0.80	1.00	1.20
L3	0.60	0.80	1.00
ΦP1(上口)	3.30	3.50	3.70
ΦP2(下口)	2.99	3.19	3.39
Q	2.50	2.70	2.90
θ1		5°	
θ2		4°	
θ3		10°	
θ4		5°	
θ5		5°	

**Technical Data**  
**Data Sheet N1995, Rev.-**



**DISCLAIMER:**

- 1- The information given herein, including the specifications and dimensions, is subject to change without prior notice to improve product characteristics. Before ordering, purchasers are advised to contact the SMC - Sangdest Microelectronics (Nanjing) Co., Ltd sales department for the latest version of the datasheet(s).
- 2- In cases where extremely high reliability is required (such as use in nuclear power control, aerospace and aviation, traffic equipment, medical equipment, and safety equipment), safety should be ensured by using semiconductor devices that feature assured safety or by means of users' fail-safe precautions or other arrangement.
- 3- In no event shall SMC - Sangdest Microelectronics (Nanjing) Co., Ltd be liable for any damages that may result from an accident or any other cause during operation of the user's units according to the datasheet(s). SMC - Sangdest Microelectronics (Nanjing) Co., Ltd assumes no responsibility for any intellectual property claims or any other problems that may result from applications of information, products or circuits described in the datasheets.
- 4- In no event shall SMC - Sangdest Microelectronics (Nanjing) Co., Ltd be liable for any failure in a semiconductor device or any secondary damage resulting from use at a value exceeding the absolute maximum rating.
- 5- No license is granted by the datasheet(s) under any patents or other rights of any third party or SMC - Sangdest Microelectronics (Nanjing) Co., Ltd.
- 6- The datasheet(s) may not be reproduced or duplicated, in any form, in whole or part, without the expressed written permission of SMC - Sangdest Microelectronics (Nanjing) Co., Ltd.
- 7- The products (technologies) described in the datasheet(s) are not to be provided to any party whose purpose in their application will hinder maintenance of international peace and safety nor are they to be applied to that purpose by their direct purchasers or any third party. When exporting these products (technologies), the necessary procedures are to be taken in accordance with related laws and regulations..