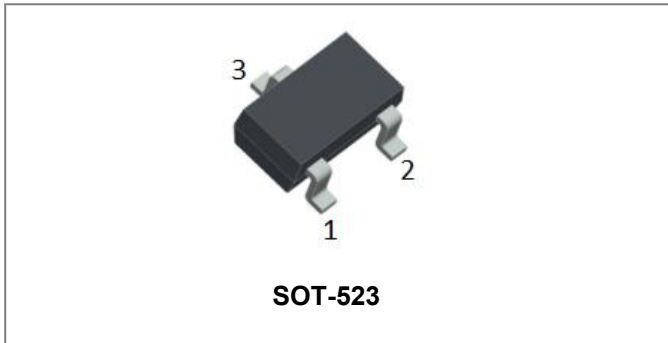
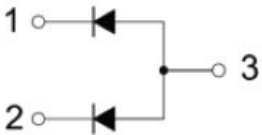
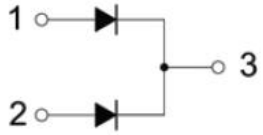
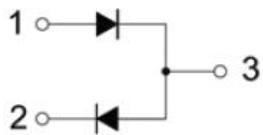
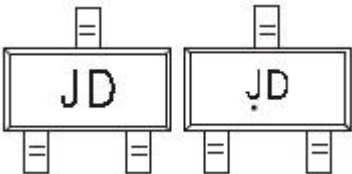
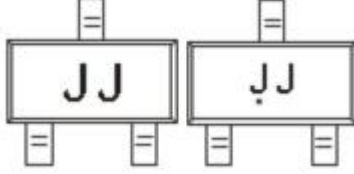
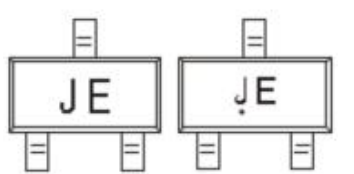


BAW56T/BAV70T/BAV99T SWITCHING DIODE



Features

- Low Forward Voltage Drop
- Fast Switching
- PN Junction Guard Ring for Transient and ESD Protection
- This is a Pb – Free Device
- All SMC parts are traceable to the wafer lot
- Additional testing can be offered upon request

BAW56T	BAV70T	BAV99T
		
MARKING:JD	MARKING:JJ	MARKING:JE
		

Solid dot = Green molding compound device, if none, the normal device.

Maximum Ratings@T_A=25°C unless otherwise specified

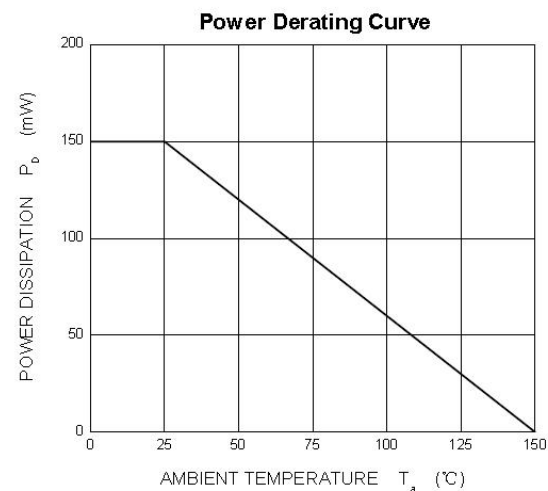
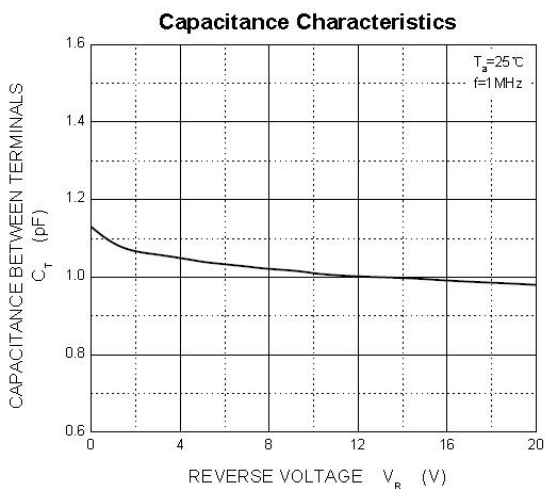
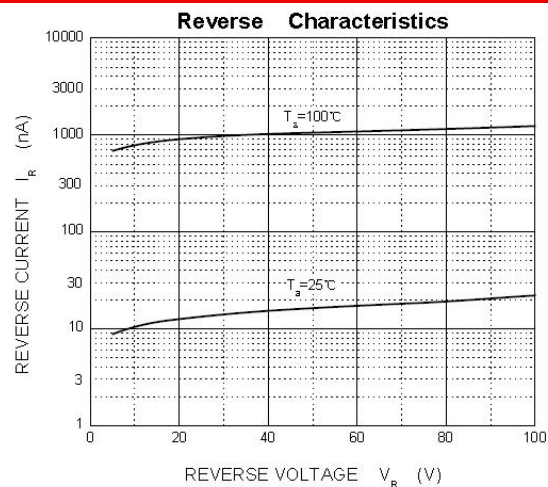
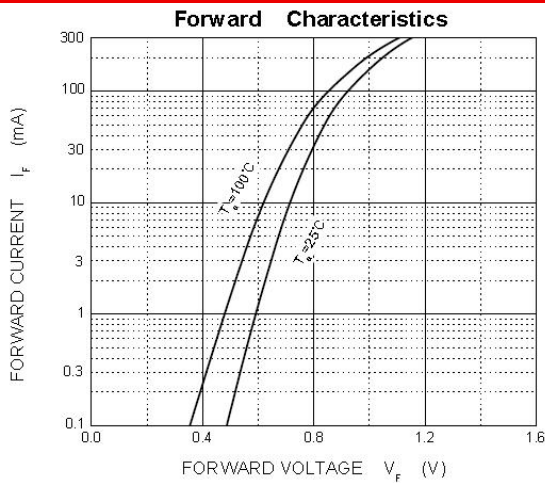
Parameter	Symbol	Limit	Units
Reverse Voltage	V _R	85	V
Forward Current	I _F	75	mA
Non-repetitive Peak Forward Surge Current @t=8.3ms	I _{FSM}	2.0	A
Power Dissipation	P _D	150	mW
Thermal Resistance from Junction to Ambient	R _{θJA}	833	°C/W
Junction Temperature	T _j	150	°C
Storage Temperature	T _{stg}	-55~+150	°C

Electrical Characteristics @ $T_A=25^\circ\text{C}$ unless otherwise specified

Parameter	Symbol	Test conditions	Min	Max	Units
Reverse breakdown voltage*	$V_{(BR)}$	$I_R=1\mu\text{A}$	85	-	V
Reverse voltage leakage current*	I_{R1}	$V_R=75\text{V}$	-	2	μA
	I_{R2}	$V_R=25\text{V}$	-	0.03	μA
Forward voltage*	V_F	$I_F=1\text{mA}$	-	715	mV
		$I_F=10\text{mA}$	-	855	
		$I_F=50\text{mA}$	-	1000	
		$I_F=150\text{mA}$	-	1250	
Diode capacitance	C_D	$V_R=0\text{V}, f=1\text{MHz}$	-	1.5	pF
Reverse recovery time	T_{rr}	$I_F=I_R=10\text{mA}, I_{rr}=0.1\times I_R, R_L=100\Omega$	-	4	ns

* Pulse width < 300 μs , duty cycle < 2%

Ratings and Characteristics Curves

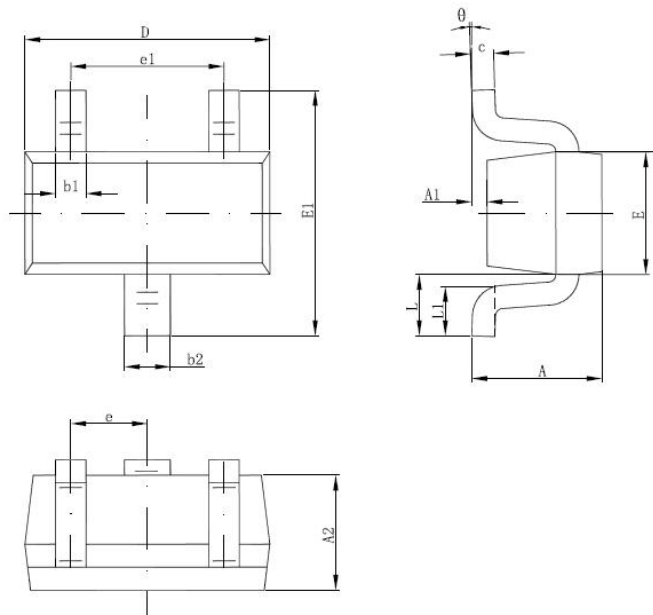


Ordering Information

Device	Package	Shipping
BAW56T/BAV70T/BAV99T	SOT-523(Pb-Free)	3000pcs / reel

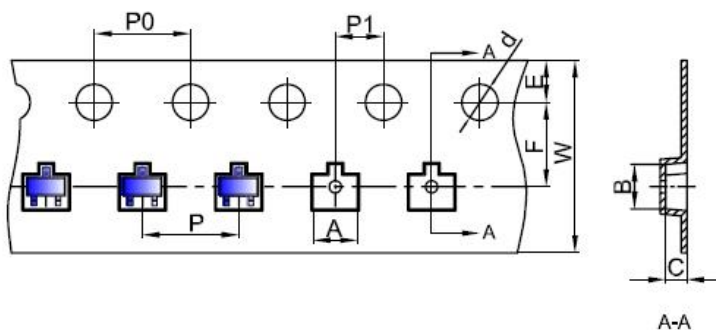
For information on tape and reel specifications, including part orientation and tape sizes, please refer to our tape and reel packaging specification.

Mechanical Dimensions SOT-523



SYMBOL	Millimeters		Inches	
	MIN.	MAX.	MIN.	MAX.
A	0.700	0.900	0.028	0.035
A1	0.000	0.100	0.000	0.004
A2	0.700	0.800	0.028	0.031
b1	0.150	0.250	0.006	0.010
b2	0.250	0.350	0.010	0.014
c	0.100	0.200	0.004	0.008
D	1.500	1.700	0.059	0.067
E	0.700	0.900	0.028	0.035
E1	1.450	1.750	0.057	0.069
e	0.500 TYP.		0.020 TYP.	
e1	0.900	1.100	0.035	0.043
L	0.400 REF.		0.016 REF.	
L1	0.260	0.460	0.010	0.018
θ	0°	8°	0°	8°

Carrier Tape Specification SOT-523



SYMBOL	Millimeters	
	Min.	Max.
A	1.80	1.90
B	1.80	1.90
C	0.825	0.925
d	1.40	1.60
E	1.65	1.85
F	3.40	3.60
P	3.90	4.10
P0	3.90	4.10
P1	1.90	2.10
W	7.90	8.30

DISCLAIMER:

1- The information given herein, including the specifications and dimensions, is subject to change without prior notice to improve product characteristics. Before ordering, purchasers are advised to contact the SMC - Sangdest Microelectronics (Nanjing) Co., Ltd sales department for the latest version of the datasheet(s).

2- In cases where extremely high reliability is required (such as use in nuclear power control, aerospace and aviation, traffic equipment, medical equipment, and safety equipment), safety should be ensured by using semiconductor devices that feature assured safety or by means of users' fail-safe precautions or other arrangement.

3- In no event shall SMC - Sangdest Microelectronics (Nanjing) Co., Ltd be liable for any damages that may result from an accident or any other cause during operation of the user's units according to the datasheet(s). SMC - Sangdest Microelectronics (Nanjing) Co., Ltd assumes no responsibility for any intellectual property claims or any other problems that may result from applications of information, products or circuits described in the datasheets.

4- In no event shall SMC - Sangdest Microelectronics (Nanjing) Co., Ltd be liable for any failure in a semiconductor device or any secondary damage resulting from use at a value exceeding the absolute maximum rating.

5- No license is granted by the datasheet(s) under any patents or other rights of any third party or SMC - Sangdest Microelectronics (Nanjing) Co., Ltd.

6- The datasheet(s) may not be reproduced or duplicated, in any form, in whole or part, without the expressed written permission of SMC - Sangdest Microelectronics (Nanjing) Co., Ltd.

7- The products (technologies) described in the datasheet(s) are not to be provided to any party whose purpose in their application will hinder maintenance of international peace and safety nor are they to be applied to that purpose by their direct purchasers or any third party. When exporting these products (technologies), the necessary procedures are to be taken in accordance with related laws and regulations..